

PRODUCT DATA SHEET

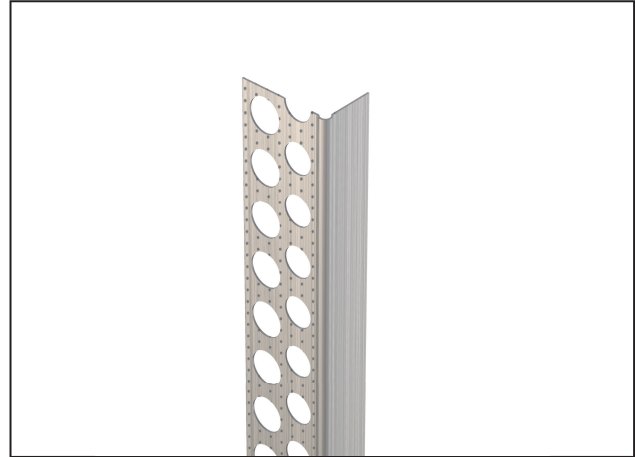
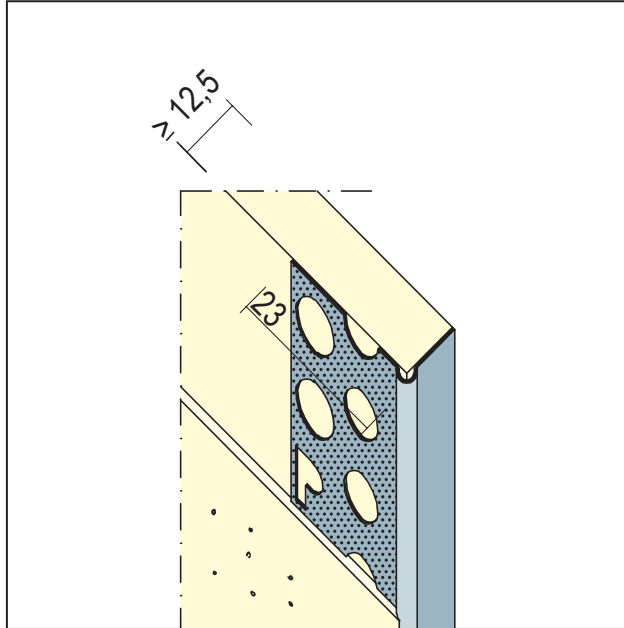
Stop profile for dry lining

12,5 mm PB

Item no. 9299



Status: 11.04.2024 | 12:04



Designation	Stop profile for dry lining 12,5 mm PB
Description	PROTEKTOR "Göppinger" profile made of aluminium for creating single edges at plastered junctions, e.g. sliding ceiling and wall connections, for plasterboard sheets of 12.5 mm and thicker.
Product area	Internal construction
Product category	Filler profiles
Types of mortar	Lehmputz, Insulating plaster, Gypsum mortars and mortars containing gypsum, Attachment mortar
Plaster thickness	1 mm
Material	Aluminum natural
GK/Plate	12,5 mm
Material thickness	0,4 mm
Standard EN	EN 14353
Product length	250 cm; 300 cm
Reaction to fire (R2F)	A1
Appearance	With a 3D surface structure for increased profile stability and improved plaster embedding.
Packaging Unit	50 PCS / 200 BUN
Leaflet	* Leaflet Planning and Application of Metallic Plaster Profiles; Publisher: European Trade Association Europrofiles, www.europrofiles.com , * Leaflet Planning and Application of Metallic Plaster Profiles; Publisher: European Trade Association Europrofiles, www.europrofiles.com , * Leaflet Winter Construction Sites; Publisher: Bundesverband der Gipsindustrie e.V., www.gips.de

This product data sheet corresponds to the current state of development of our products and loses its validity upon publication of a new edition. Make sure you are using the latest edition of this information. Warranty and liability are based on delivery according to our general Terms and conditions. Please observe the application assembly and storage guidelines.

PRODUCT DATA SHEET

Stop profile for dry lining

12,5 mm PB

Item no. 9299



All statements without guarantee. Reserve technical changes. Product illustrations may differ from the delivery product. Tender specifications, installation instructions and performance declarations (if required by law) can be found on our homepage. Please respect the environment for a proper disposal!