

PRODUCT DATA SHEET

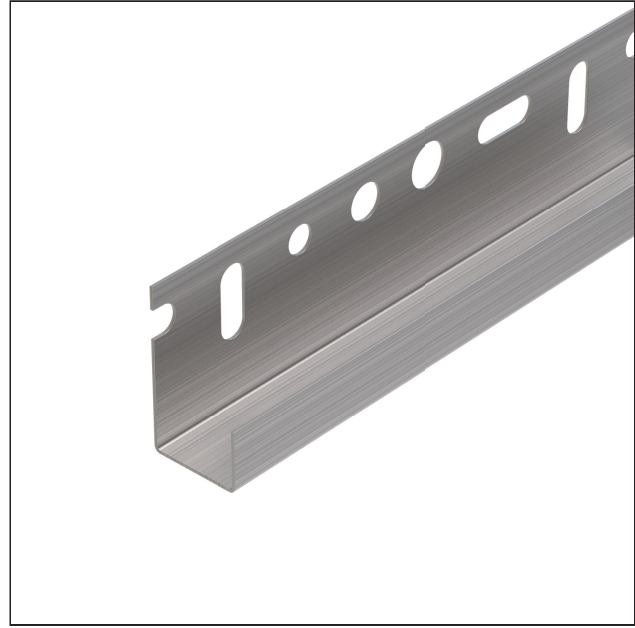
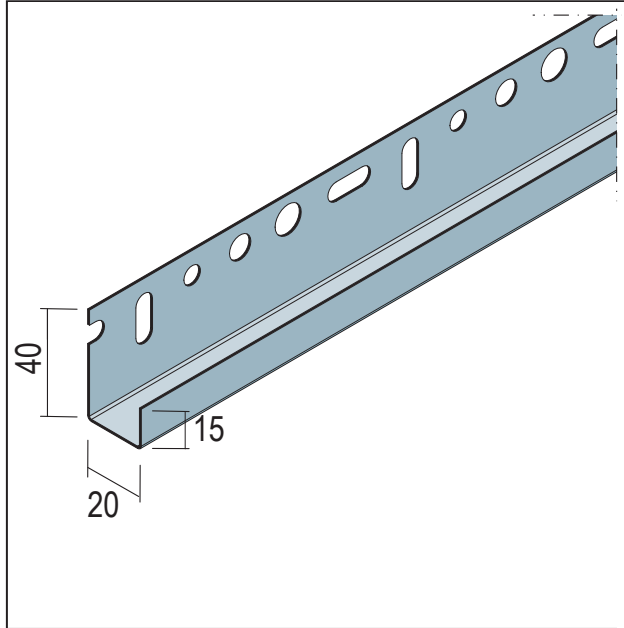
Stop profile for insulation

20 mm, Alu

Item no. 92322



Status: 24.04.2024 | 12:04



Designation	Stop profile for insulation 20 mm, Alu
Description	PROTEKTOR-Stop profile for insulation 20 mm
Product area	Thermal insulation
Product category	Connection and end profiles
Material	Aluminum natural
Material thickness	0,8 mm
Product length	250 cm
Packaging Unit	10 PCS / 100 BUN

This product data sheet corresponds to the current state of development of our products and loses its validity upon publication of a new edition. Make sure you are using the latest edition of this information. Warranty and liability are based on delivery according to our general Terms and conditions. Please observe the application assembly and storage guidelines.

All statements without guarantee. Reserve technical changes. Product illustrations may differ from the delivery product. Tender specifications, installation instructions and performance declarations (if required by law) can be found on our homepage. Please respect the environment for a proper disposal!