

PRODUCT DATA SHEET

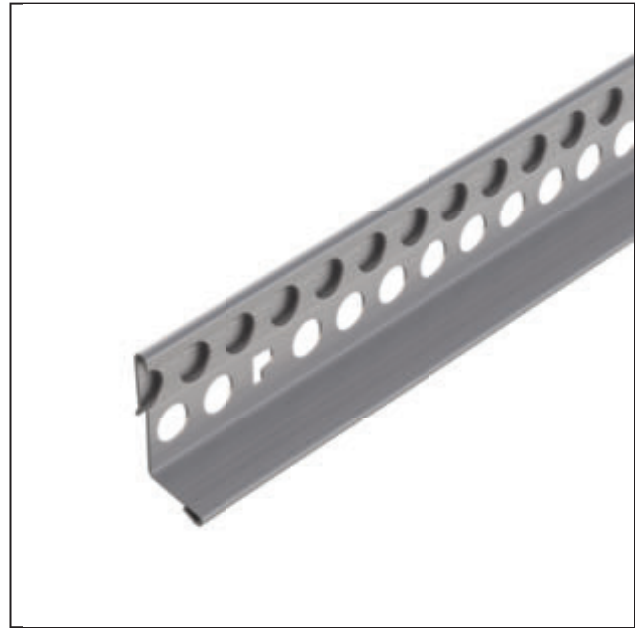
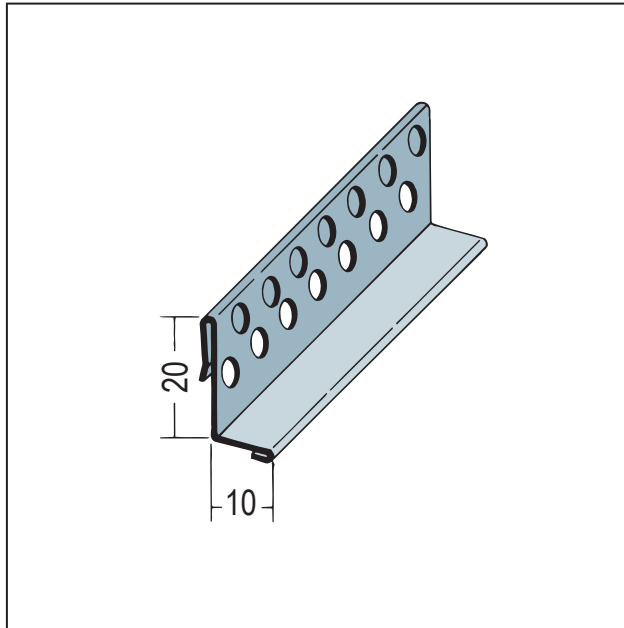
Clip-on profile for thermal insulation

10 mm

Item no. 9121



Status: 20.04.2026 | 16:23



Designation	Clip-on profile for thermal insulation 10 mm
Description	Box-shaped aluminium plug profile, for exterior plaster, for mounting or attaching to wall base profiles.
Product area	Thermal insulation
Product category	Base profiles
Plaster thickness	10 mm
Material thickness	0,45 mm
Reaction to fire (R2F)	A1
Customs tariff number	76042990
Opened label	Purchase only possible as full packaging units.

Item number	Length (cm)	Plaster thickness	Material	Packaging unit
103662	250	10 mm	Aluminum natural	20 PCS / 156 BUN

This product data sheet corresponds to the current state of development of our products and loses its validity upon publication of a new edition. Make sure you are using the latest edition of this information. Warranty and liability are based on delivery according to our general Terms and conditions. Please observe the application assembly and storage guidelines.

All statements without guarantee. Reserve technical changes. Product illustrations may differ from the delivery product. Tender specifications, installation instructions and performance declarations (if required by law) can be found on our homepage. Please respect the environment for a proper disposal!