

PRODUCT DATA SHEET

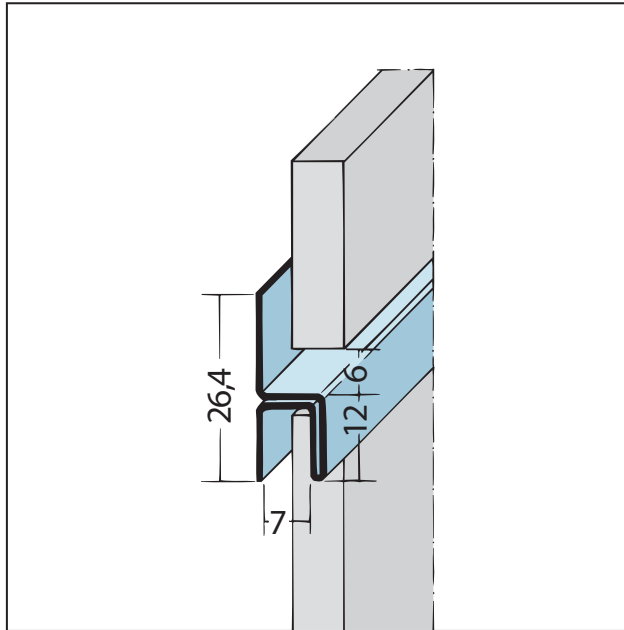
Joint-h-profile horizontal Alu

7 mm

Item no. 9061



Status: 11.04.2024 | 12:04



Designation	Joint-h-profile horizontal Alu 7 mm
Description	The PROTEKTOR aluminium joint, or h, profile closes and visually highlights horizontal joints on the façade. Reduces the penetration of dampness. Profile may only be placed horizontally. Suited for façade cladding of up to 7 mm.
Product area	Curtain wall
Product category	Joint profiles
Material	Aluminium
Material thickness	0,6 mm
Product width	6 mm
Product length	250 cm
Of opening	7 mm
Reaction to fire (R2F)	A1
Productcolor	NA, natur
Packaging Unit	20 PCS / 100 BUN
Annotation	Powder coating in accordance with RAL specification available for an extra charge.
Processing instructions	Only suitable for horizontal installation!

This product data sheet corresponds to the current state of development of our products and loses its validity upon publication of a new edition. Make sure you are using the latest edition of this information. Warranty and liability are based on delivery according to our general Terms and conditions. Please observe the application assembly and storage guidelines.

All statements without guarantee. Reserve technical changes. Product illustrations may differ from the delivery product. Tender specifications, installation instructions and performance declarations (if required by law) can be found on our homepage. Please respect the environment for a proper disposal!