

PRODUCT DATA SHEET

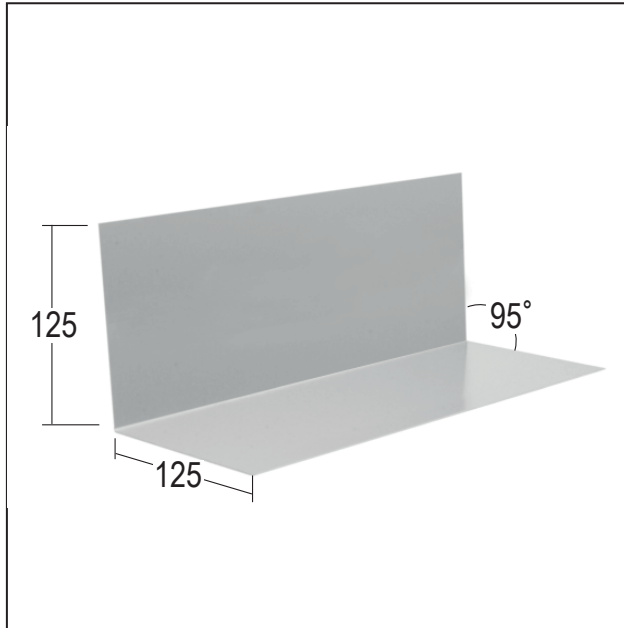
Angle plate without water check

125 x 125 mm

Item no. 86420



Status: 11.04.2024 | 12:04



Designation	Angle plate without water check 125 x 125 mm
Description	The PROTEKTOR angle panel is used to provide a transition between horizontal and vertical construction components. It serves as a closing element for sealing strips on flat roofs and provides clean connections.
Product area	Roof drainage
Product category	Roof plates
Material	Aluminium
Product width	125 mm
Product length	200 cm
Product height in mm	125 mm
Angular Position	95°
Reaction to fire (R2F)	A1
Packaging Unit	1 PC / 100 BUN
Processing instructions	Dachabdichtungsbahnen müssen mit dem Rinneneinhang verklebt werden.

This product data sheet corresponds to the current state of development of our products and loses its validity upon publication of a new edition. Make sure you are using the latest edition of this information. Warranty and liability are based on delivery according to our general Terms and conditions. Please observe the application assembly and storage guidelines.

All statements without guarantee. Reserve technical changes. Product illustrations may differ from the delivery product. Tender specifications, installation instructions and performance declarations (if required by law) can be found on our homepage. Please respect the environment for a proper disposal!