

PRODUCT DATA SHEET

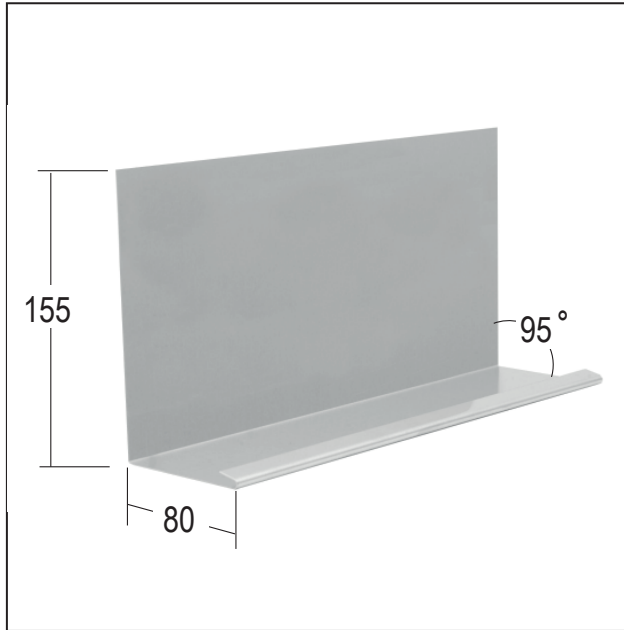
Angle plate with water check

80 x 155 mm

Item no. 86418



Status: 11.04.2024 | 12:04



Designation	Angle plate with water check 80 x 155 mm
Description	The PROTEKTOR angle panel with water check is used to create transitions between suitable roofs and vertical walls, providing clean connections.
Product area	Roof drainage
Product category	Roof plates
Material	Aluminium
Product width	80 mm
Product length	200 cm
Product height in mm	155 mm
Angular Position	95°
Reaction to fire (R2F)	A1
Packaging Unit	1 PC / 100 BUN

This product data sheet corresponds to the current state of development of our products and loses its validity upon publication of a new edition. Make sure you are using the latest edition of this information. Warranty and liability are based on delivery according to our general Terms and conditions. Please observe the application assembly and storage guidelines.

All statements without guarantee. Reserve technical changes. Product illustrations may differ from the delivery product. Tender specifications, installation instructions and performance declarations (if required by law) can be found on our homepage. Please respect the environment for a proper disposal!