

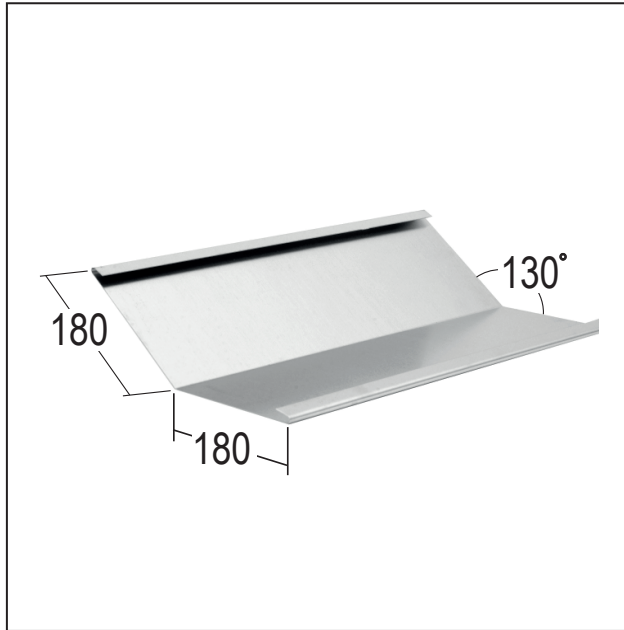
PRODUCT DATA SHEET

Flashing with water check

Item no. 86410



Status: 11.04.2024 | 12:04



Designation	Flashing with water check
Description	The PROTEKTOR flashing with water check ensures that water is safely drained into the roof throat on the surface. The universally applicable roof throat is suited for various roof coverings and roof slopes.
Product area	Roof drainage
Product category	Roof plates
Material	Aluminium
Product width	180 mm
Product length	200 cm
Product height in mm	180 mm
Angular Position	130°
Reaction to fire (R2F)	A1
Packaging Unit	1 PC / 100 BUN

This product data sheet corresponds to the current state of development of our products and loses its validity upon publication of a new edition. Make sure you are using the latest edition of this information. Warranty and liability are based on delivery according to our general Terms and conditions. Please observe the application assembly and storage guidelines.

All statements without guarantee. Reserve technical changes. Product illustrations may differ from the delivery product. Tender specifications, installation instructions and performance declarations (if required by law) can be found on our homepage. Please respect the environment for a proper disposal!