

PRODUCT DATA SHEET

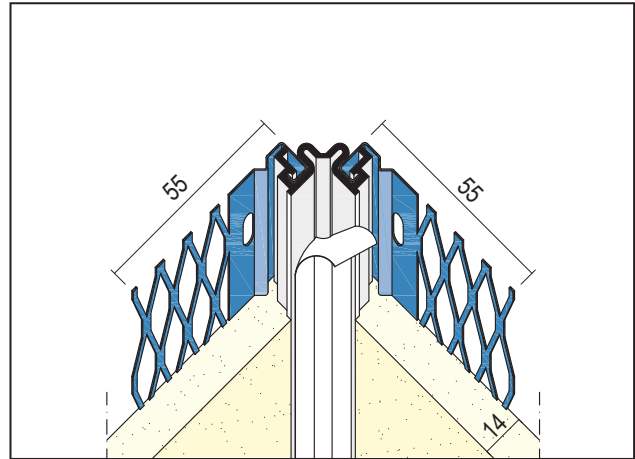
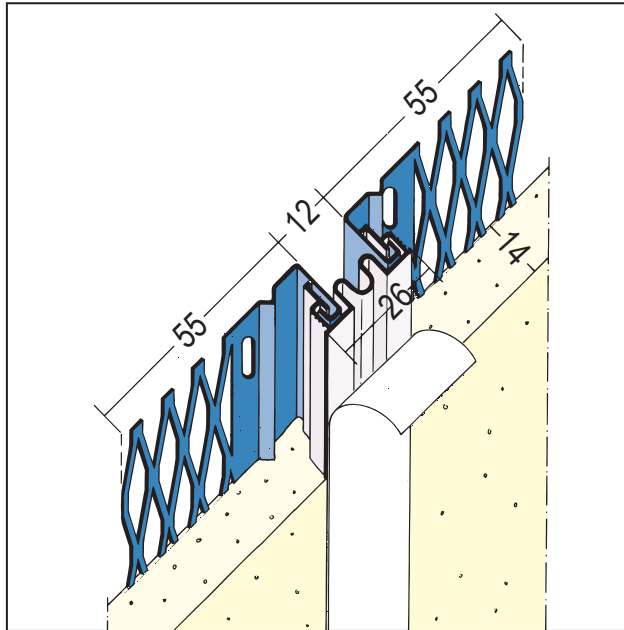
Expansion joint profile for interior and exterior render

14 mm, surface/corner

Item no. 7573



Status: 11.04.2024 | 01:04



Designation	Expansion joint profile for interior and exterior render 14 mm, surface/corner
Description	Expansion joint profile made of stainless steel and middle part made of soft PVC for interior and exterior plastering from 14 mm, for use on the surface and in the inside corner. Outdoors and in wet rooms only for vertical use.
Product area	Internal plastering External rendering
Product category	Joint profiles Joint profiles
Types of mortar	Silicate plaster, Reinforcing plaster organ, Insulating plaster, Deposits cleaning, Gypsum mortars and mortars containing gypsum, Gypsum plaster, Lime plaster, Lime cement plaster, Clay plaster, Restoration plaster
Plaster thickness	14 mm
Material	Stainless steel, with PVC coating
Standard EN	EN 13658-2
Product length	300 cm
Revision	PVC central piece offers limited possibilities for applying suitable coatings. Approval is required from the coating material manufacturer.
Motion recording train / print	+4/-3 mm
Reaction to fire (R2F)	E
Productcolor	10, white
Packaging Unit	10 PCS / 24 BOX
Leaflet	* Leaflet Planning and Application of Metallic Plaster Profiles; Publisher: European Trade Association Europrofiles, www.europrofiles.com , * Leaflet Planning and Application of Metallic Plaster Profiles; Publisher: European Trade Association Europrofiles, www.europrofiles.com , * Leaflet Winter Construction Sites; Publisher: Bundesverband der Gipsindustrie e.V., www.gips.de

This product data sheet corresponds to the current state of development of our products and loses its validity upon publication of a new edition. Make sure you are using the latest edition of this information. Warranty and liability are based on delivery according to our general Terms and conditions. Please observe the application assembly and storage guidelines.

PRODUCT DATA SHEET

Expansion joint profile for interior and exterior render

14 mm, surface/corner

Item no. 7573



All statements without guarantee. Reserve technical changes. Product illustrations may differ from the delivery product. Tender specifications, installation instructions and performance declarations (if required by law) can be found on our homepage. Please respect the environment for a proper disposal!