

PRODUCT DATA SHEET

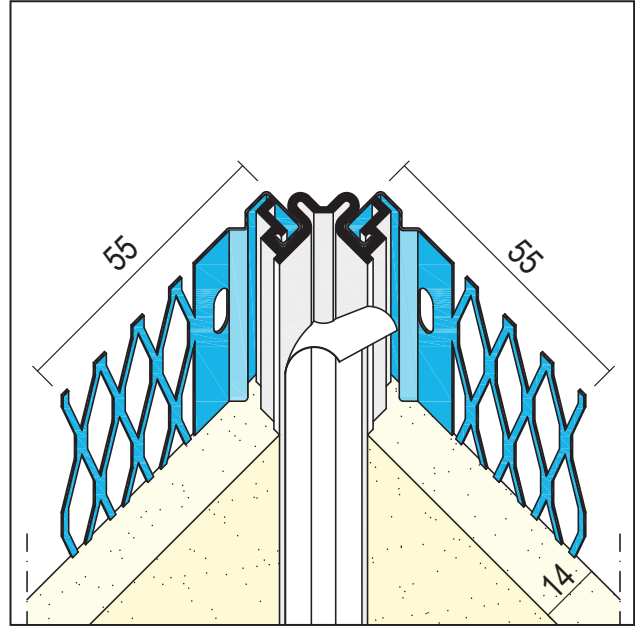
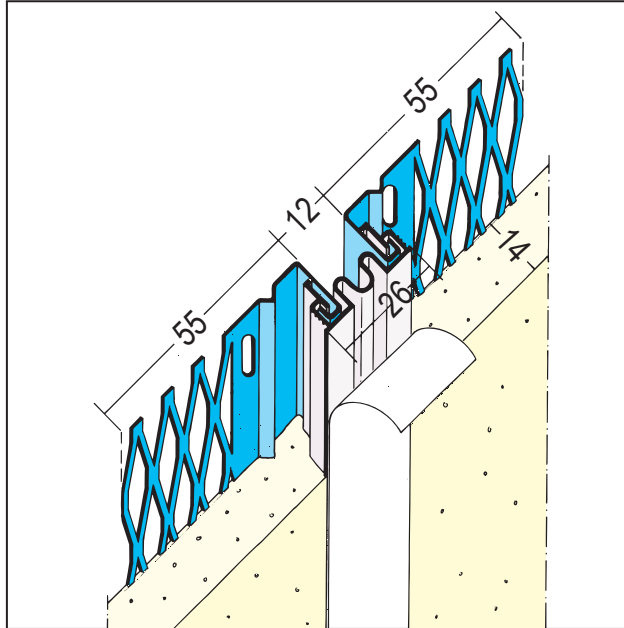
Expansion joint profile for interior and exterior render

14 mm, surface/corner

Item no. 7523



Status: 11.04.2024 | 01:04



| | |
|---------------------------------------|--|
| Designation | Expansion joint profile for interior and exterior render 14 mm, surface/corner |
| Description | PROTEKTOR Galvanised movement joint profile, for plaster surfaces of 14 mm and thicker. The central piece is made of a combination of rigid and flexible PVC. The expansion joint profile can be used on the surface and in the inner corner. |
| Product area | Internal plastering External rendering |
| Product category | Joint profiles Joint profiles |
| Types of mortar | Silicate plaster, Insulating plaster, Deposits cleaning, Gypsum mortars and mortars containing gypsum, Gypsum plaster, Lime plaster, Lime cement plaster |
| Plaster thickness | 14 mm |
| Material | Galvanised steel, with PVC coating |
| Standard EN | EN 13658-2 |
| Galvanizing | Z 275 |
| Product length | 300 cm |
| Revision | PVC central piece offers limited possibilities for applying suitable coatings. Approval is required from the coating material manufacturer. After plastering, the joint protection strip is cut on both sides, ideally with a knife with a hooked blade, and removed. Caution: Do not cut too deep into the stretched part. |
| Motion recording train / print | +4/-3 mm |
| Application Areas | Only to be installed vertically on damp or wet surfaces. |
| Reaction to fire (R2F) | E |
| Productcolor | 10, white |
| Packaging Unit | 10 PCS / 24 BOX |
| Leaflet | * Leaflet Planning and Application of Metallic Plaster Profiles; Publisher: European Trade Association Europrofiles, www.europrofiles.com , * Leaflet Planning and Application of Metallic Plaster Profiles; Publisher: European Trade Association Europrofiles, www.europrofiles.com , * Leaflet Winter Construction Sites; Publisher: Bundesverband der Gipsindustrie e.V., www.gips.de |

PRODUCT DATA SHEET

Expansion joint profile for interior and exterior render

14 mm, surface/corner

Item no. 7523



This product data sheet corresponds to the current state of development of our products and loses its validity upon publication of a new edition. Make sure you are using the latest edition of this information. Warranty and liability are based on delivery according to our general Terms and conditions. Please observe the application assembly and storage guidelines.

All statements without guarantee. Reserve technical changes. Product illustrations may differ from the delivery product. Tender specifications, installation instructions and performance declarations (if required by law) can be found on our homepage. Please respect the environment for a proper disposal!