

# PRODUCT DATA SHEET

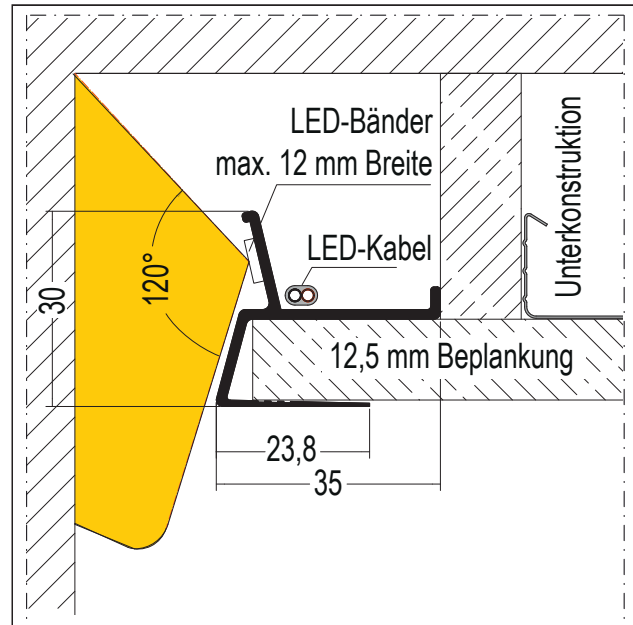
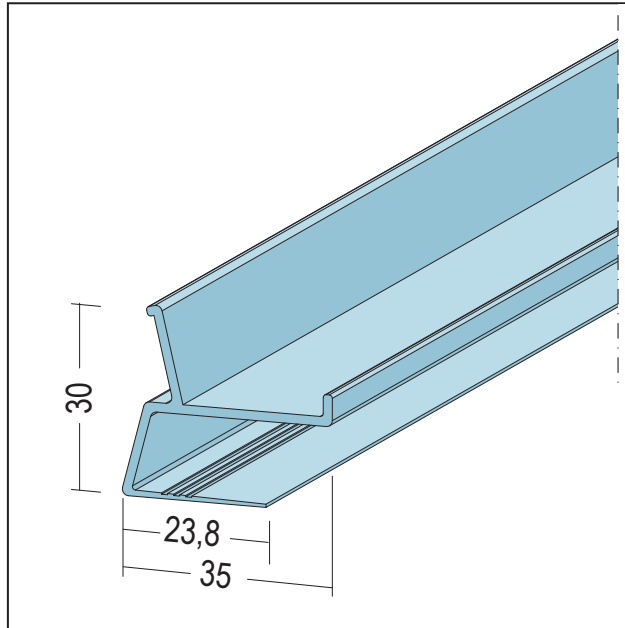
LED alu-ceiling rail sunrise

2000 mm

Item no. 6538



Status: 27.09.2024 | 03:09



|                                |  |
|--------------------------------|--|
| <b>Designation</b>             | LED alu-ceiling rail sunrise 2000 mm   |
| <b>Description</b>             | For creating a shadow joint.<br>Suitable for LED strips with max. width 12 mm and max. 30 watts/m. LED track Lumino without LED strip. For panel thickness 12.5 mm.  |
| <b>Product area</b>            | Dry lining / lightweight steel construction  |
| <b>Product category</b>        | LED Lightdesign - lumino   |
| <b>Material</b>                | Aluminum   |
| <b>GK/Plate</b>                | 12,5 mm  |
| <b>Material thickness</b>      | 1,5 mm   |
| <b>Product length</b>          | 200 cm   |
| <b>Reaction to fire (R2F)</b>  | A1   |
| <b>Packaging Unit</b>          | 4 PC / 100 BOX   |
| <b>Processing instructions</b> | Filling may only be carried out when no major changes in the length of the panel material are to be expected, e.g. as a result of temperature or moisture changes. Please observe the information in BVG leaflet no. 1 "Construction site conditions". Expansion joints should be made every 4 m (joint width 2 mm <15W LED power/m or 4 mm >15W LED power/m). Chamfer the ends of the profiles. Depending on the product, the LED protective tube with article no. 6547 should be used. Roughen the filling surfaces of the profiles (anodised or powder-coated) before filling. The levelling surfaces of the profiles must also be cleaned before levelling. A reinforcement strip must be used when filling. The respective manufacturer's instructions and standards for the products used must be observed. Degrease the profile with spirit, for example, before painting. The LED technology may only be installed by specialised personnel. The manufacturer's instructions on handling, installation, etc. must be observed and complied with. |

This product data sheet corresponds to the current state of development of our products and loses its validity upon publication of a new edition. Make sure you are using the latest edition of this information. Warranty and liability are based on delivery according to our general Terms and conditions. Please observe the application assembly and storage guidelines.

# PRODUCT DATA SHEET

LED alu-ceiling rail sunrise

2000 mm

Item no. 6538



All statements without guarantee. Reserve technical changes. Product illustrations may differ from the delivery product. Tender specifications, installation instructions and performance declarations (if required by law) can be found on our homepage. Please respect the environment for a proper disposal!