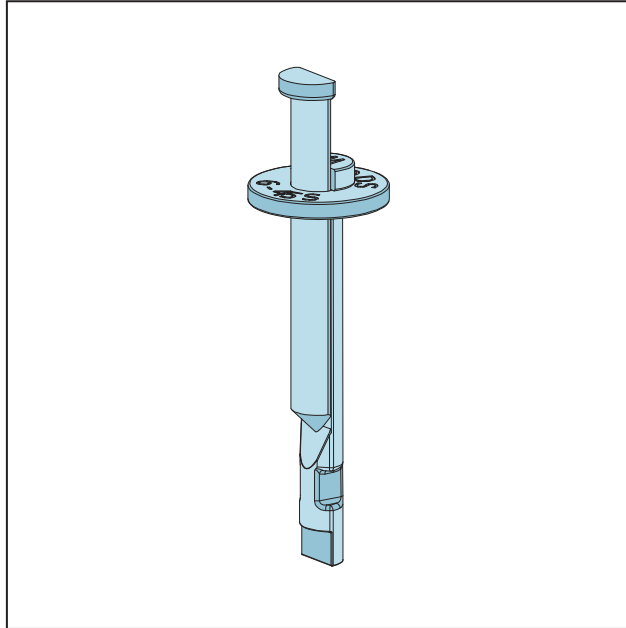


PRODUCT DATA SHEET

Ceiling dowel
6 x 40 mm
Item no. 6260



Status: 11.04.2024 | 01:04



Designation	Ceiling dowel 6 x 40 mm
Description	Steel dowels for connecting drywall construction systems in concrete. European Technical Approval: ETA-14/0390
Product area	Dry lining / lightweight steel construction
Product category	Fixing accessories
Material	Galvanised steel
Galvanizing	tested to standard
Product length	0 cm
Reaction to fire (R2F)	A1
Packaging Unit	100 PC / 300 BOX

This product data sheet corresponds to the current state of development of our products and loses its validity upon publication of a new edition. Make sure you are using the latest edition of this information. Warranty and liability are based on delivery according to our general Terms and conditions. Please observe the application assembly and storage guidelines.

All statements without guarantee. Reserve technical changes. Product illustrations may differ from the delivery product. Tender specifications, installation instructions and performance declarations (if required by law) can be found on our homepage. Please respect the environment for a proper disposal!