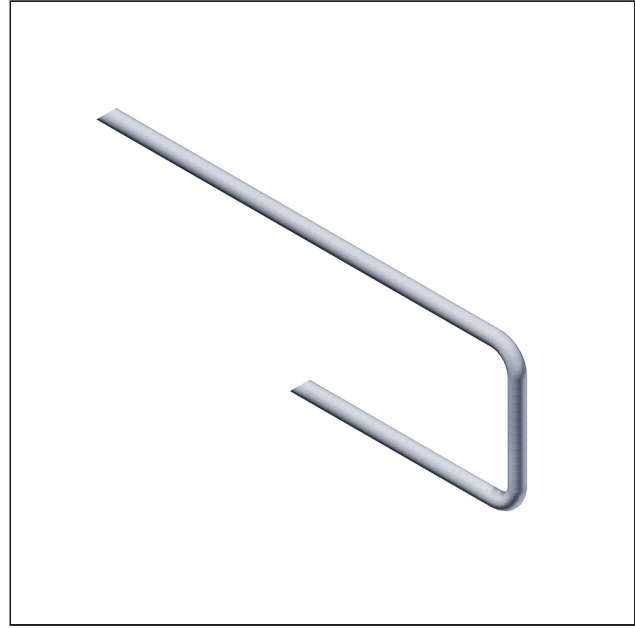
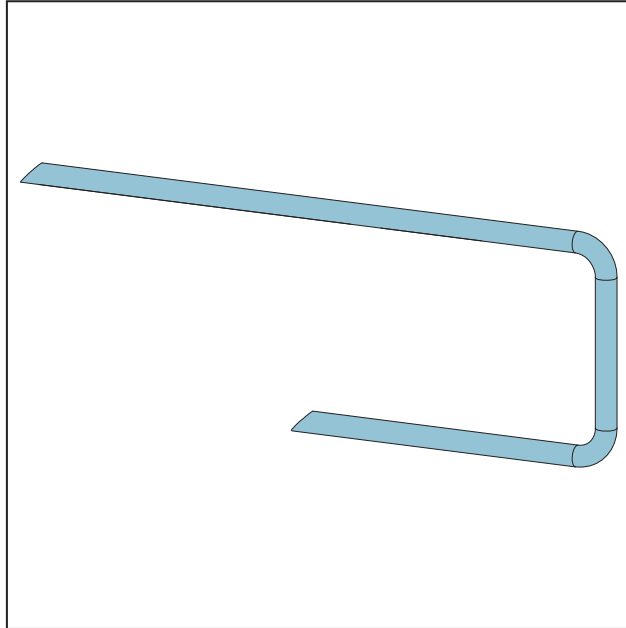


PRODUCT DATA SHEET

Safety pin
for Nonius hanger
Item no. 6201



Status: 11.04.2024 | 01:04



Designation	Safety pin for Nonius hanger
Description	Application area: ceiling substructures to create a connection between vernier shells and subdividers. Bend around fixing clip after installing.
Product area	Dry lining / lightweight steel construction
Product category	Standard accessoires
Material	Steel wire, galvanised
Standard EN	EN 13964:2014
Galvanizing	tested to standard
Product length	0 cm
Reaction to fire (R2F)	A1
Treatment	- 1 piece per connection - After aligning the substructure, secure the securing bracket by bending it over.
Packaging Unit	100 PC / 300 BOX
Load bearing capacity	NPD*
Processing instructions	1 piece per connection. Bend around fixing clip after installing.

This product data sheet corresponds to the current state of development of our products and loses its validity upon publication of a new edition. Make sure you are using the latest edition of this information. Warranty and liability are based on delivery according to our general Terms and conditions. Please observe the application assembly and storage guidelines.

All statements without guarantee. Reserve technical changes. Product illustrations may differ from the delivery product. Tender specifications, installation instructions and performance declarations (if required by law) can be found on our homepage. Please respect the environment for a proper disposal!