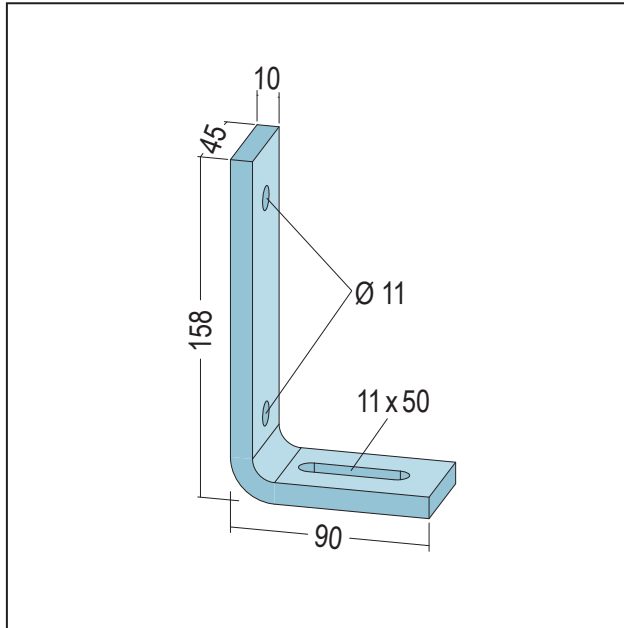


# PRODUCT DATA SHEET

Wall fixing angle  
158 x 90 x 45 mm  
Item no. 6184



Status: 11.04.2024 | 01:04



<b>Designation</b>	Wall fixing angle 158 x 90 x 45 mm
<b>Description</b>	For mounting wide span supports with threaded rods.
<b>Product area</b>	Dry lining / lightweight steel construction
<b>Product category</b>	Light steel construction Edificio
<b>Material</b>	Galvanised steel
<b>Material thickness</b>	10 mm
<b>Galvanizing</b>	tested to standard
<b>Product length</b>	0 cm
<b>Reaction to fire (R2F)</b>	A1
<b>Packaging Unit</b>	1 PC / 25 PC

This product data sheet corresponds to the current state of development of our products and loses its validity upon publication of a new edition. Make sure you are using the latest edition of this information. Warranty and liability are based on delivery according to our general Terms and conditions. Please observe the application assembly and storage guidelines.

All statements without guarantee. Reserve technical changes. Product illustrations may differ from the delivery product. Tender specifications, installation instructions and performance declarations (if required by law) can be found on our homepage. Please respect the environment for a proper disposal!