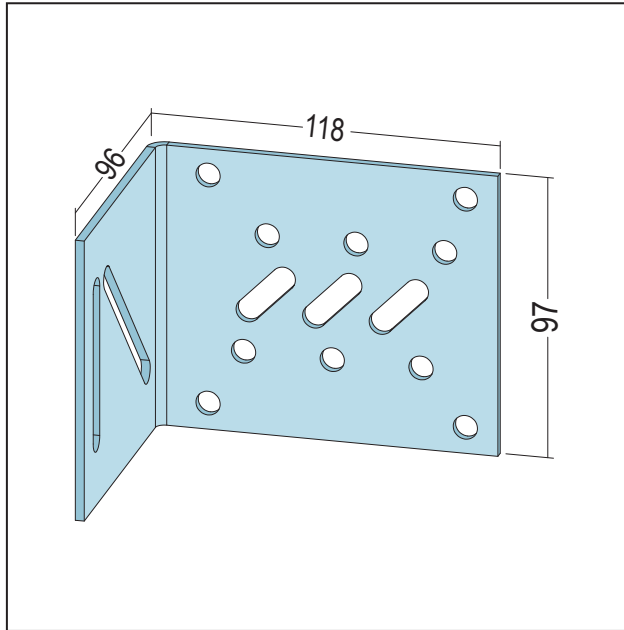


PRODUCT DATA SHEET

Wall fixing angle
for C 102
Item no. 6172



Status: 11.04.2024 | 01:04



Designation	Wall fixing angle for C 102
Description	For attaching wide span supports to the wall or for creating replacements.
Product area	Dry lining / lightweight steel construction
Product category	Light steel construction Edificio
Material	Galvanised steel
Material thickness	3 mm
Galvanizing	tested to standard
Product width	97 mm
Product length	0 cm
Reaction to fire (R2F)	A1
Packaging Unit	1 PC / 25 PC

This product data sheet corresponds to the current state of development of our products and loses its validity upon publication of a new edition. Make sure you are using the latest edition of this information. Warranty and liability are based on delivery according to our general Terms and conditions. Please observe the application assembly and storage guidelines.

All statements without guarantee. Reserve technical changes. Product illustrations may differ from the delivery product. Tender specifications, installation instructions and performance declarations (if required by law) can be found on our homepage. Please respect the environment for a proper disposal!