

PRODUCT DATA SHEET

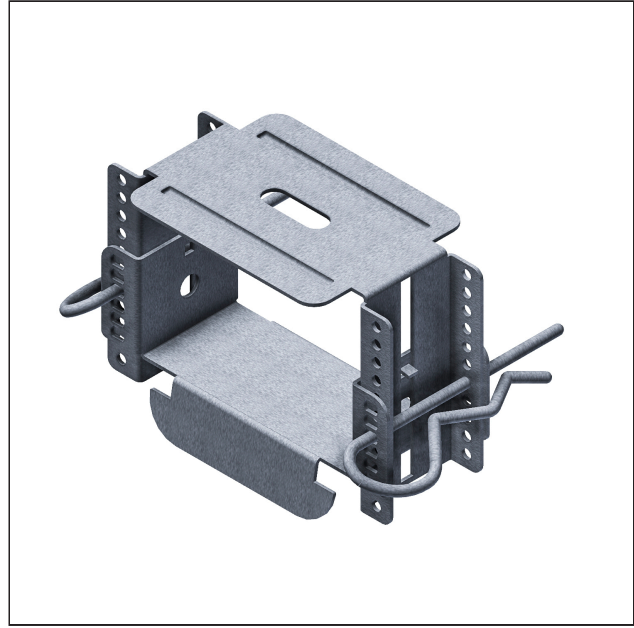
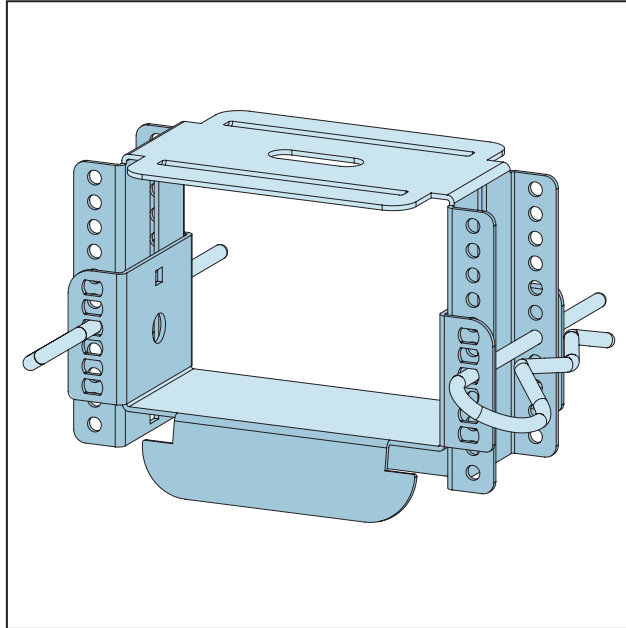
Adjustable direct hanging for C 60-27

59 - 108 mm

Item no. 6110



Status: 06.07.2024 | 12:07



Designation	Adjustable direct hanging for C 60-27 59 - 108 mm
Description	For attaching CD profiles on hanging ceiling sub-structures. 2-pieces, includes safety clamps. Use washers for wooden beam screw joints.
Product area	Dry lining / lightweight steel construction
Product category	Standard accessoires
Material	Galvanised steel
Material thickness	1 mm
Standard EN	EN 13964:2014
Standard	DIN18168-2
Galvanizing	tested to standard
Product length	0 cm
Capacity class	0,40 kN
Reaction to fire (R2F)	A1
Treatment	- Attach the adjustable direct hanger with suitable fasteners at the required centre distance. - Clip ceiling profiles into the direct hanger - Adjust the suspension height as required and connect the upper and lower parts with the securing clips.
Packaging Unit	100 PC / 16 BOX
Load bearing capacity	879 N
Processing instructions	see processing description

This product data sheet corresponds to the current state of development of our products and loses its validity upon publication of a new edition. Make sure you are using the latest edition of this information. Warranty and liability are based on delivery according to our general Terms and conditions. Please observe the application assembly and storage guidelines.

All statements without guarantee. Reserve technical changes. Product illustrations may differ from the delivery product. Tender specifications, installation instructions and performance declarations (if required by law) can be found on our homepage. Please respect the environment for a proper disposal!