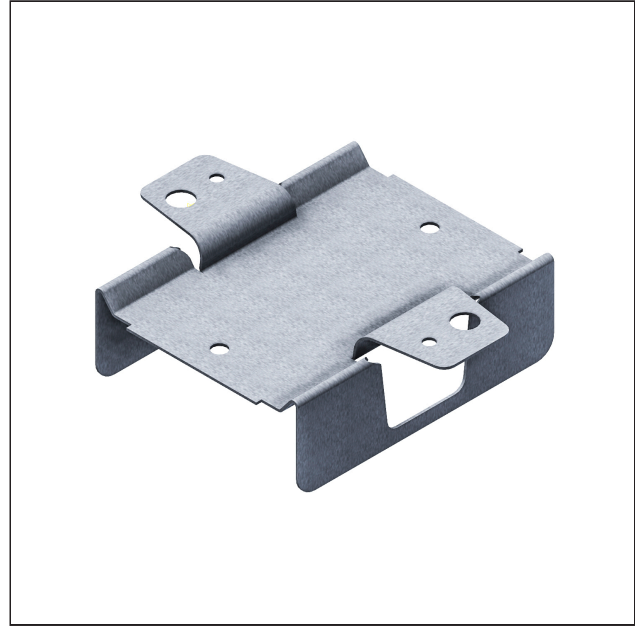
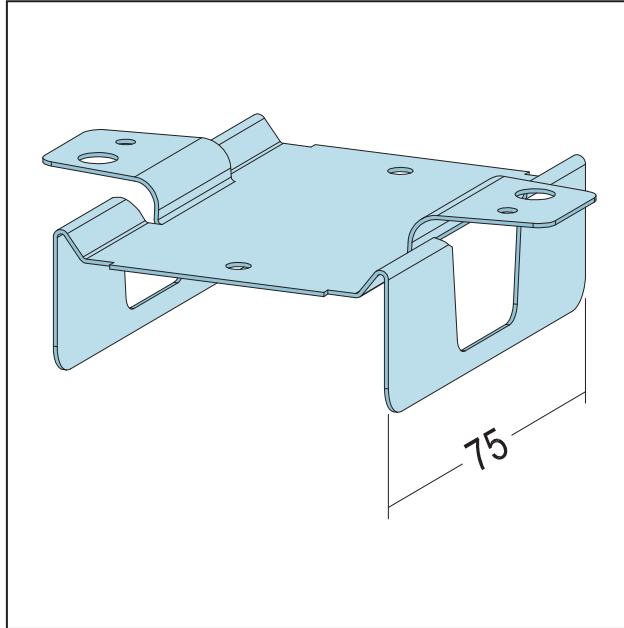


PRODUCT DATA SHEET

Direct hanging rail runner for direct mounting
for CD 60-28
Item no. 6096



Status: 11.04.2024 | 01:04



| | |
|--------------------------------|--|
| Designation | Direct hanging rail runner for direct mounting for CD 60-28 |
| Description | For attaching CD profiles on hanging ceiling sub-structures. |
| Product area | Dry lining / lightweight steel construction |
| Product category | Standard accessoires |
| Material | Galvanised steel |
| Material thickness | 0,7 mm |
| Standard EN | EN 13964:2014 |
| Standard | DIN18168-2 |
| Product length | 0 cm |
| Capacity class | 0,15 kN |
| Reaction to fire (R2F) | A1 |
| Treatment | - Insert the required number 6096 into the ceiling profile. - Mounting on the raw ceiling is carried out with the two lugs with suitable fasteners |
| Packaging Unit | 100 PC / 45 BOX |
| Processing instructions | see processing description |

This product data sheet corresponds to the current state of development of our products and loses its validity upon publication of a new edition. Make sure you are using the latest edition of this information. Warranty and liability are based on delivery according to our general Terms and conditions. Please observe the application assembly and storage guidelines.

All statements without guarantee. Reserve technical changes. Product illustrations may differ from the delivery product. Tender specifications, installation instructions and performance declarations (if required by law) can be found on our homepage. Please respect the environment for a proper disposal!