

# PRODUCT DATA SHEET

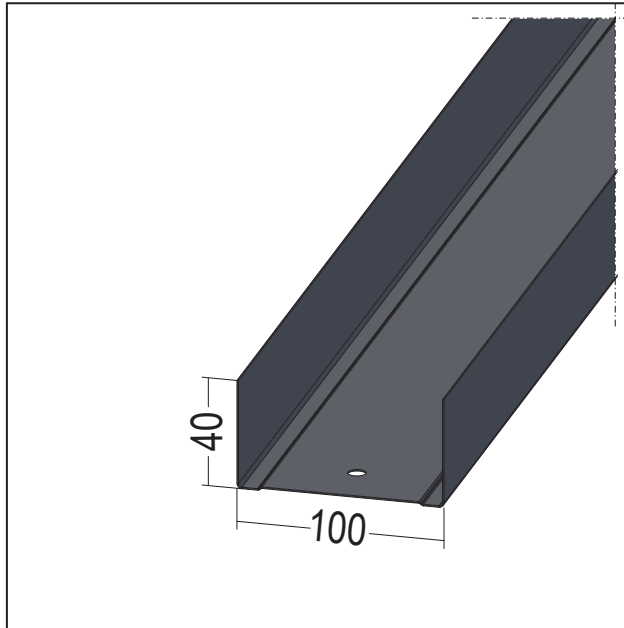
U-track C3 very high|C4 high|C5 middle

U 100-06

Item no. 59034



Status: 31.01.2025 | 11:01



<b>Designation</b>	U-track C3 very high C4 high C5 middle U 100-06
<b>Description</b>	Application area: supporting bracket for walls/wall faces or for free-spanning ceilings with increased corrosion resistance requirements.
<b>Product area</b>	Dry lining / lightweight steel construction
<b>Product category</b>	Anti corrosion defendo
<b>Material</b>	Galvanised steel with coating
<b>Material thickness</b>	0,6 mm
<b>Standard EN</b>	EN 14195:2005
<b>Standard</b>	DIN18182-1
<b>Galvanizing</b>	tested to standard
<b>Product length</b>	400 cm
<b>Product width</b>	100 mm
<b>Standard coating profile</b>	DIN EN ISO 12944
<b>Product height in mm</b>	40 mm
<b>Reaction to fire (R2F)</b>	A1
<b>Productcolor</b>	90, black
<b>Packaging Unit</b>	8 PCS / 10 BUN
<b>Annotation</b>	Nachweis Korrosionsschutz nach DIN EN ISO 12944 Teil 6, Ausgabe Juni 2018. Kondensatprüfung 720 h und Salzsprühnebeltest 720 h bestanden.

This product data sheet corresponds to the current state of development of our products and loses its validity upon publication of a new edition. Make sure you are using the latest edition of this information. Warranty and liability are based on delivery according to our general Terms and conditions. Please observe the application assembly and storage guidelines.

All statements without guarantee. Reserve technical changes. Product illustrations may differ from the delivery product. Tender specifications, installation instructions and performance declarations (if required by law) can be found on our homepage. Please respect the environment for a proper disposal!