

PRODUCT DATA SHEET

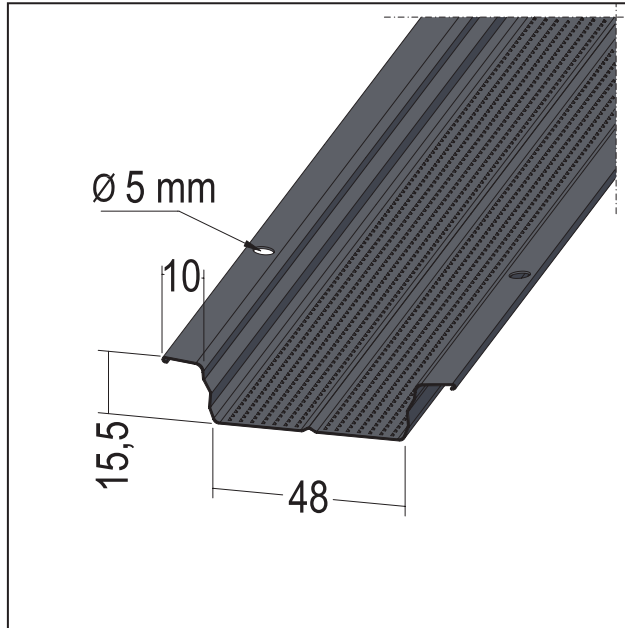
Hat ceiling profile C3 very high|C4 high|C5 middle

48-15.5

Item no. 59014



Status: 11.04.2024 | 02:04



Designation	Hat ceiling profile C3 very high C4 high C5 middle 48-15.5
Description	Application area: ceilings and wall facings with increased corrosion resistance requirements.
Product area	Dry lining / lightweight steel construction
Product category	Anti corrosion defendo
Material	Galvanised steel with coating
Material thickness	0,6 mm
Standard EN	EN 14195
Standard	DIN18182-1
Galvanizing	tested to standard
Product width	48 mm
Product length	400 cm
Standard coating profile	DIN EN ISO 12944
Reaction to fire (R2F)	A1
Packaging Unit	10 PCS / 20 BUN
Annotation	Nachweis Korrosionsschutz nach DIN EN ISO 12944 Teil 6, Ausgabe Juni 2018. Kondensatprüfung 720 h und Salzsprühnebeltest 720 h bestanden.

This product data sheet corresponds to the current state of development of our products and loses its validity upon publication of a new edition. Make sure you are using the latest edition of this information. Warranty and liability are based on delivery according to our general Terms and conditions. Please observe the application assembly and storage guidelines.

All statements without guarantee. Reserve technical changes. Product illustrations may differ from the delivery product. Tender specifications, installation instructions and performance declarations (if required by law) can be found on our homepage. Please respect the environment for a proper disposal!