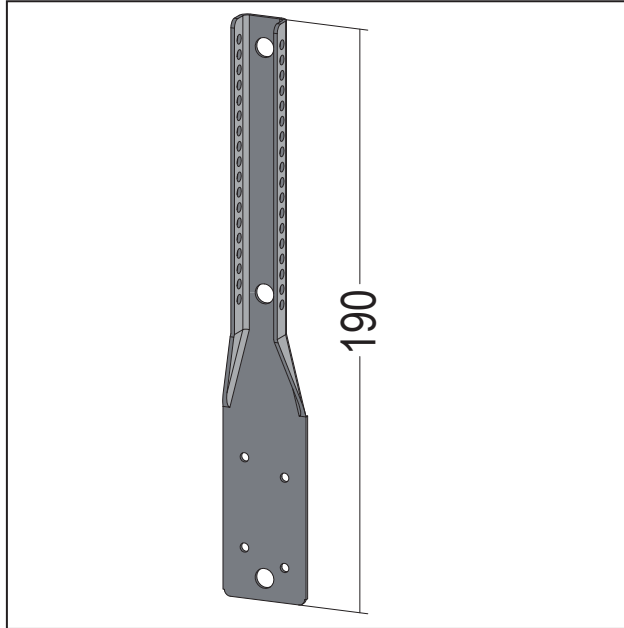


PRODUCT DATA SHEET

Nonius hanger C3-C5 perforated high
for wood hanging
Item no. 58106



Status: 11.04.2024 | 02:04



Designation	Nonius hanger C3-C5 perforated high for wood hanging
Description	Application area: ceiling sub-constructions with vernier suspensions, with increased corrosion resistance requirements.
Product area	Dry lining / lightweight steel construction
Product category	Anti corrosion defendo
Material	Galvanised steel with coating
Material thickness	1,2 mm
Standard EN	EN 13964:2014
Standard	DIN18168-2
Galvanizing	tested to standard
Product length	19 cm
Standard coating profile	DIN EN ISO 12944
Reaction to fire (R2F)	A2-s1, d0
Treatment	- The lower part of Nonius hanger is connected to the upper part of the Nonius by means of two safety clamps or a safety clip. - Connect the lower part of the Nonius to the wooden substructure on both sides using suitable fasteners. - Readjust if necessary - After aligning the substructure, secure the safety clip by bending it over.
Packaging Unit	100 PC / 45 BOX
Processing instructions	see processing description

This product data sheet corresponds to the current state of development of our products and loses its validity upon publication of a new edition. Make sure you are using the latest edition of this information. Warranty and liability are based on delivery according to our general Terms and conditions. Please observe the application assembly and storage guidelines.

All statements without guarantee. Reserve technical changes. Product illustrations may differ from the delivery product. Tender specifications, installation instructions and performance declarations (if required by law) can be found on our homepage. Please respect the environment for a proper disposal!