

# PRODUCT DATA SHEET

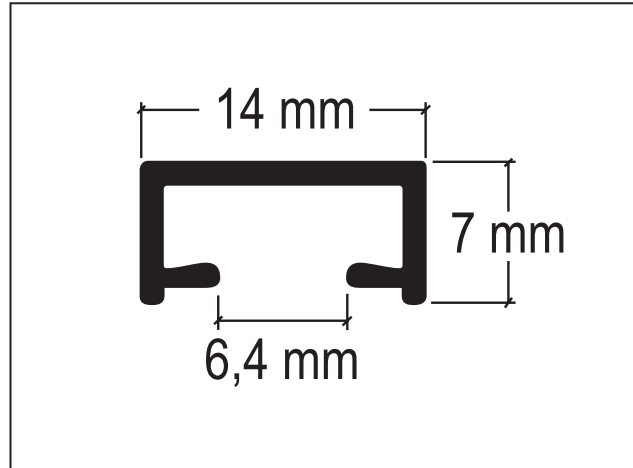
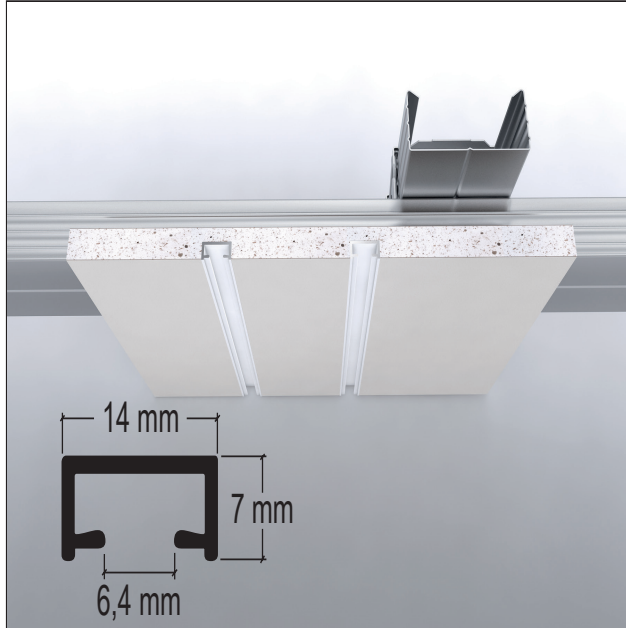
Curtain system 12.5 mm double track

GKF 12,5

Item no. 57234



Status: 28.06.2024 | 12:06



<b>Designation</b>	Curtain system 12.5 mm double track GKF 12,5
<b>Description</b>	Plasterboard with integrated white VS57 curtain profile, double track. Protective cover and connector included. Edge distance: 70 / 70 / 100 mm
<b>Product area</b>	Dry lining / lightweight steel construction
<b>Product category</b>	Moulded parts
<b>Material</b>	Plasterboard with aluminium
<b>Product length</b>	200 cm
<b>Packaging Unit</b>	10 PC / 5 BUN

This product data sheet corresponds to the current state of development of our products and loses its validity upon publication of a new edition. Make sure you are using the latest edition of this information. Warranty and liability are based on delivery according to our general Terms and conditions. Please observe the application assembly and storage guidelines.

All statements without guarantee. Reserve technical changes. Product illustrations may differ from the delivery product. Tender specifications, installation instructions and performance declarations (if required by law) can be found on our homepage. Please respect the environment for a proper disposal!