

PRODUCT DATA SHEET

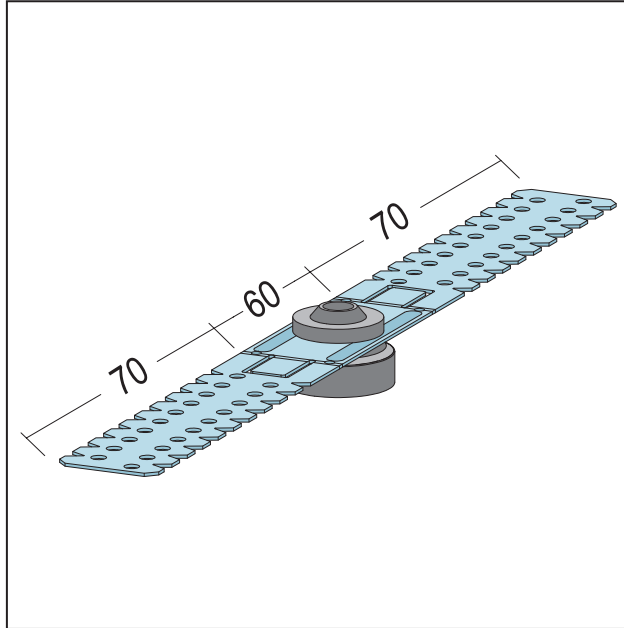
U-hanger flat acoustically insulated

70 mm

Item no. 56369



Status: 11.04.2024 | 02:04



Designation	U-hanger flat acoustically insulated 70 mm
Description	For attaching CD profiles on hanging ceiling sub-constructions for improving sound insulation.
Product area	Dry lining / lightweight steel construction
Product category	Sound Insulation silencio
Material	Galvanised steel
Material thickness	0,9 mm
Standard EN	EN 13964:2014
Standard	DIN18168-2
Galvanizing	tested to standard
Product width	70 mm
Product length	0 cm
Capacity class	0,40 kN
Packaging Unit	100 PC / 50 BOX
Load bearing capacity	1061 N

This product data sheet corresponds to the current state of development of our products and loses its validity upon publication of a new edition. Make sure you are using the latest edition of this information. Warranty and liability are based on delivery according to our general Terms and conditions. Please observe the application assembly and storage guidelines.

All statements without guarantee. Reserve technical changes. Product illustrations may differ from the delivery product. Tender specifications, installation instructions and performance declarations (if required by law) can be found on our homepage. Please respect the environment for a proper disposal!