

# PRODUCT DATA SHEET

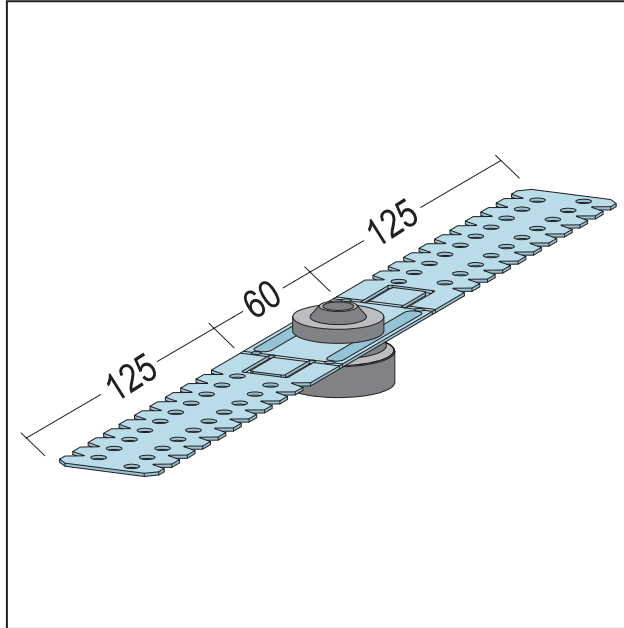
U-hanger flat acoustically insulated

125 mm

Item no. 56367



Status: 11.04.2024 | 02:04



<b>Designation</b>	U-hanger flat acoustically insulated 125 mm
<b>Description</b>	For attaching CD profiles on hanging ceiling sub-constructs for improving sound insulation.
<b>Product area</b>	Dry lining / lightweight steel construction
<b>Product category</b>	Sound Insulation silencio
<b>Material</b>	Galvanised steel
<b>Material thickness</b>	0,9 mm
<b>Standard EN</b>	EN 13964:2014
<b>Standard</b>	DIN18168-2
<b>Galvanizing</b>	tested to standard
<b>Product width</b>	125 mm
<b>Product length</b>	0 cm
<b>Capacity class</b>	0,40 kN
<b>Reaction to fire (R2F)</b>	A1
<b>Packaging Unit</b>	100 PC / 50 BOX
<b>Load bearing capacity</b>	1061 N

This product data sheet corresponds to the current state of development of our products and loses its validity upon publication of a new edition. Make sure you are using the latest edition of this information. Warranty and liability are based on delivery according to our general Terms and conditions. Please observe the application assembly and storage guidelines.

All statements without guarantee. Reserve technical changes. Product illustrations may differ from the delivery product. Tender specifications, installation instructions and performance declarations (if required by law) can be found on our homepage. Please respect the environment for a proper disposal!