

PRODUCT DATA SHEET

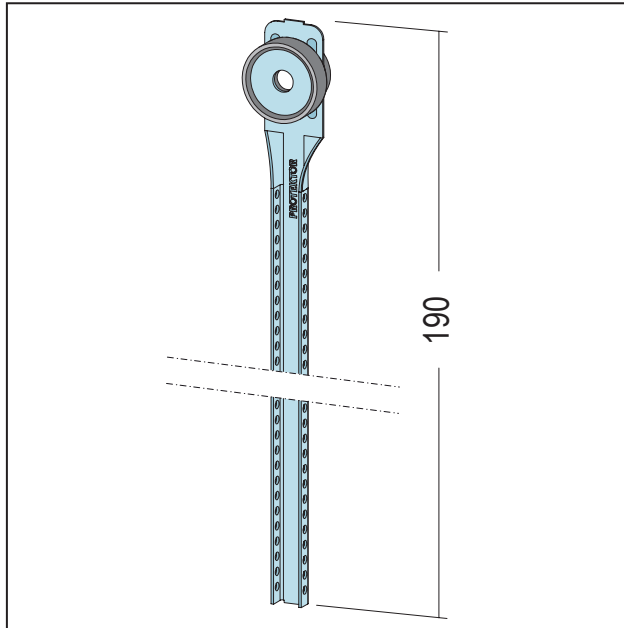
Adjusting strip for Nonius hanger acoustically insulated

190 mm

Item no. 56321



Status: 11.04.2024 | 02:04



Designation	Adjusting strip for Nonius hanger acoustically insulated 190 mm
Description	Application area: ceiling sub-constructions connected to vernier subdividers for improving wall facings.
Product area	Dry lining / lightweight steel construction
Product category	Sound Insulation silencio
Material	Galvanised steel
Material thickness	1 mm
Standard EN	EN 13964:2014
Standard	DIN18168-2
Galvanizing	tested to standard
Product length	19 cm
Treatment	- Attach the Nonius upper part at the required centre distance using suitable fasteners. - Connect the Nonius lower part with two safety clamps or a safety clip. - After aligning the substructure, secure the securing bracket by bending it over.
Packaging Unit	100 PC / 80 BOX
Load bearing capacity	NPD*
Processing instructions	see processing description

This product data sheet corresponds to the current state of development of our products and loses its validity upon publication of a new edition. Make sure you are using the latest edition of this information. Warranty and liability are based on delivery according to our general Terms and conditions. Please observe the application assembly and storage guidelines.

All statements without guarantee. Reserve technical changes. Product illustrations may differ from the delivery product. Tender specifications, installation instructions and performance declarations (if required by law) can be found on our homepage. Please respect the environment for a proper disposal!