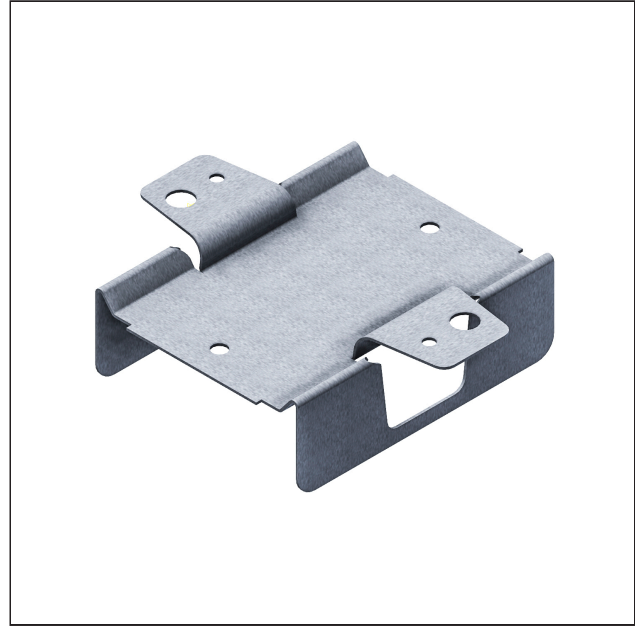
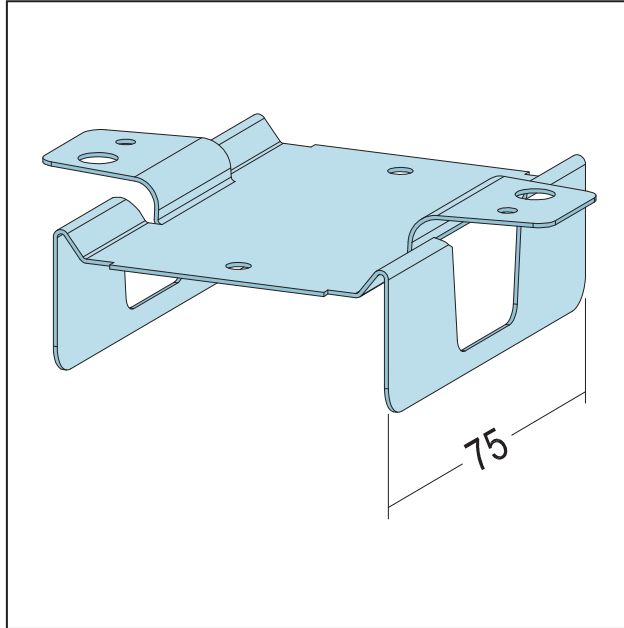


PRODUCT DATA SHEET

Direct hanging rail runner for direct mounting piccolo
for CD 60-28
Item no. 56096



Status: 12.04.2024 | 12:04



Designation	Direct hanging rail runner for direct mounting piccolo for CD 60-28
Description	For attaching CD profiles on hanging ceiling sub-structures. 1 bag contains 10 pieces.
Product area	Dry lining / lightweight steel construction
Product category	Dry Lining - Accessoires piccolo
Material	Galvanised steel
Material thickness	0,7 mm
Standard EN	EN 13964:2014
Standard	DIN18168-2
Product length	0 cm
Capacity class	0,15 kN
Reaction to fire (R2F)	A1
Packaging Unit	10 BEU / 27 BOX

This product data sheet corresponds to the current state of development of our products and loses its validity upon publication of a new edition. Make sure you are using the latest edition of this information. Warranty and liability are based on delivery according to our general Terms and conditions. Please observe the application assembly and storage guidelines.

All statements without guarantee. Reserve technical changes. Product illustrations may differ from the delivery product. Tender specifications, installation instructions and performance declarations (if required by law) can be found on our homepage. Please respect the environment for a proper disposal!