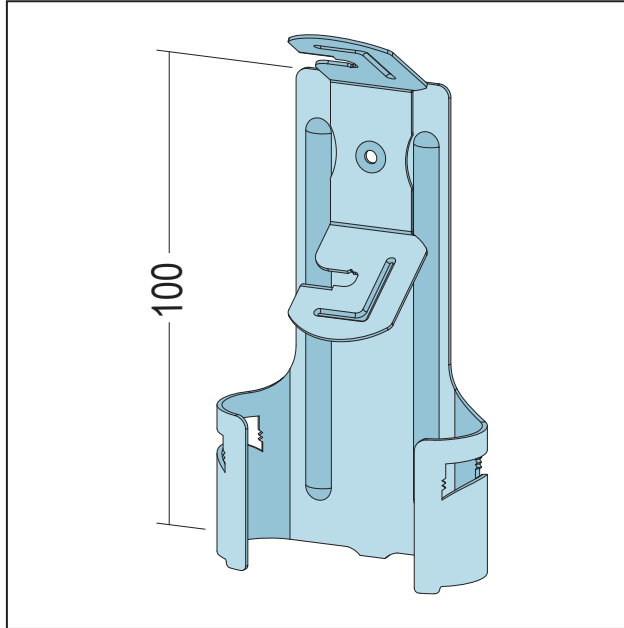


# PRODUCT DATA SHEET

CD hanger piccolo  
for C 60-27  
Item no. 56038



Status: 12.04.2024 | 12:04



<b>Designation</b>	CD hanger piccolo for C 60-27
<b>Description</b>	For mounting CD profiles on ceiling sub-constructions with wire support. Quick assembly facilitated by lateral wire insertion. 1 bag = 10 pieces
<b>Product area</b>	Dry lining / lightweight steel construction
<b>Product category</b>	Dry Lining - Accessoires piccolo
<b>Material</b>	Steel wire, galvanized / Spring steel
<b>Material thickness</b>	1 mm
<b>Standard EN</b>	EN 13964
<b>Standard</b>	DIN18168-2
<b>Product length</b>	0 cm
<b>Capacity class</b>	0,40 kN
<b>Reaction to fire (R2F)</b>	A1
<b>Packaging Unit</b>	10 BEU / 27 BOX
<b>Load bearing capacity</b>	512 N

This product data sheet corresponds to the current state of development of our products and loses its validity upon publication of a new edition. Make sure you are using the latest edition of this information. Warranty and liability are based on delivery according to our general Terms and conditions. Please observe the application assembly and storage guidelines.

All statements without guarantee. Reserve technical changes. Product illustrations may differ from the delivery product. Tender specifications, installation instructions and performance declarations (if required by law) can be found on our homepage. Please respect the environment for a proper disposal!