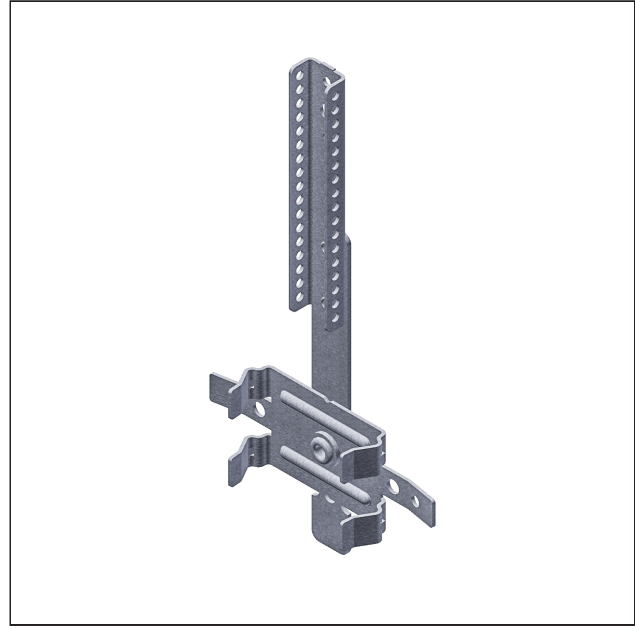
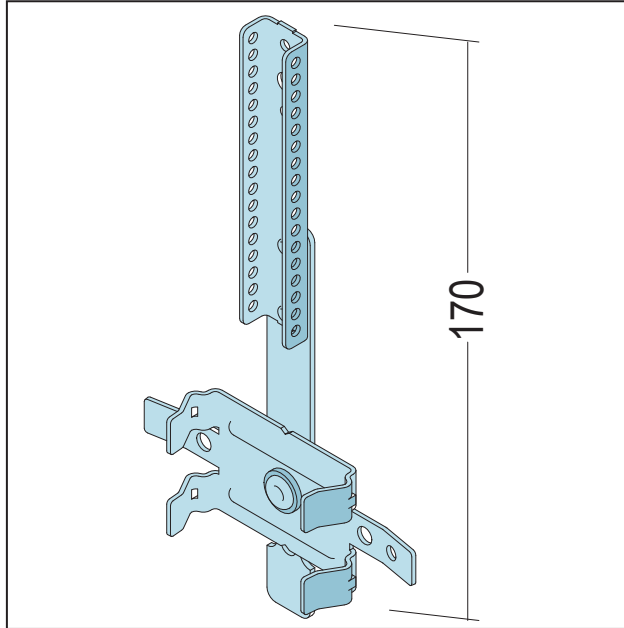


# PRODUCT DATA SHEET

Nonius Hanger diagonal pull  
for C 60-27  
Item no. 5547



Status: 12.04.2024 | 01:04



<b>Designation</b>	Nonius Hanger diagonal pull for C 60-27
<b>Description</b>	For fastening ceiling profiles for substructures, dome and vault constructions. Variably adjustable for inclined suspensions. Lateral fastening possible due to rotary function.
<b>Product area</b>	Dry lining / lightweight steel construction
<b>Product category</b>	Standard accessoires
<b>Material</b>	Galvanised steel
<b>Material thickness</b>	0,9 – 1,5 mm
<b>Standard EN</b>	EN 13964:2014
<b>Standard</b>	DIN18168-2
<b>Galvanizing</b>	tested to standard
<b>Product length</b>	17 cm
<b>Capacity class</b>	0,40 kN
<b>Reaction to fire (R2F)</b>	A1
<b>Treatment</b>	- The lower part of the vernier is connected to the upper part of the vernier by means of two safety clamps or a safety clip. - Clip the ceiling profile into the nonius lower part and secure it with two self-tapping screws against slipping off. - Readjust if necessary - After aligning the substructure, secure the securing bracket by bending it over.
<b>Packaging Unit</b>	100 PC / 32 BOX
<b>Load bearing capacity</b>	700 N
<b>Processing instructions</b>	After mounting the lower part of the hanger, fix it with self-tapping screw LN 9.5.

This product data sheet corresponds to the current state of development of our products and loses its validity upon publication of a new edition. Make sure you are using the latest edition of this information. Warranty and liability are based on delivery according to our general Terms and conditions. Please observe the application assembly and storage guidelines.

# PRODUCT DATA SHEET

Nonius Hanger diagonal pull

for C 60-27

Item no. 5547



All statements without guarantee. Reserve technical changes. Product illustrations may differ from the delivery product. Tender specifications, installation instructions and performance declarations (if required by law) can be found on our homepage. Please respect the environment for a proper disposal!