

PRODUCT DATA SHEET

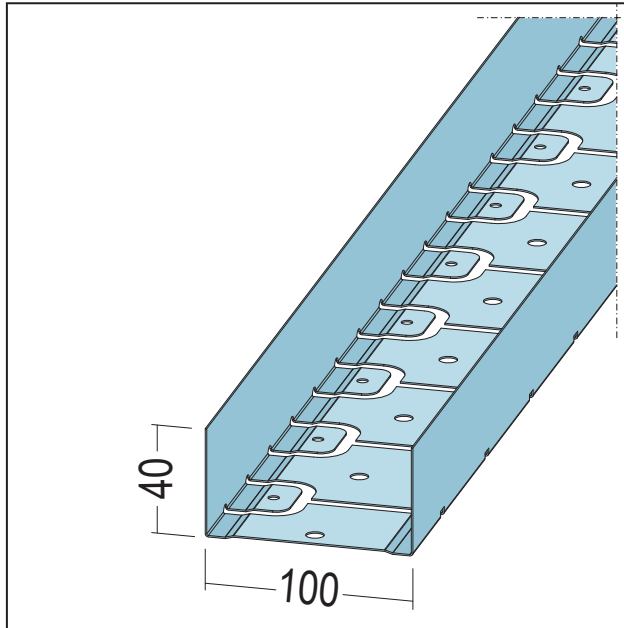
RS/U-track pre-slotted

U 100-06

Item no. 5274



Status: 11.04.2024 | 02:04



Designation	RS/U-track pre-slotted U 100-06
Description	Application area: connection profile for round walls and angled connections.
Product area	Dry lining / lightweight steel construction
Product category	Formable profiles flexibilo
Material	Galvanised steel
Material thickness	0,6 mm
Standard EN	EN 14195
Standard	DIN18182-1
Galvanizing	tested to standard
Product width	100 mm
Product length	300 cm
Reaction to fire (R2F)	A1
Packaging Unit	8 PCS / 10 BUN

This product data sheet corresponds to the current state of development of our products and loses its validity upon publication of a new edition. Make sure you are using the latest edition of this information. Warranty and liability are based on delivery according to our general Terms and conditions. Please observe the application assembly and storage guidelines.

All statements without guarantee. Reserve technical changes. Product illustrations may differ from the delivery product. Tender specifications, installation instructions and performance declarations (if required by law) can be found on our homepage. Please respect the environment for a proper disposal!