

PRODUCT DATA SHEET

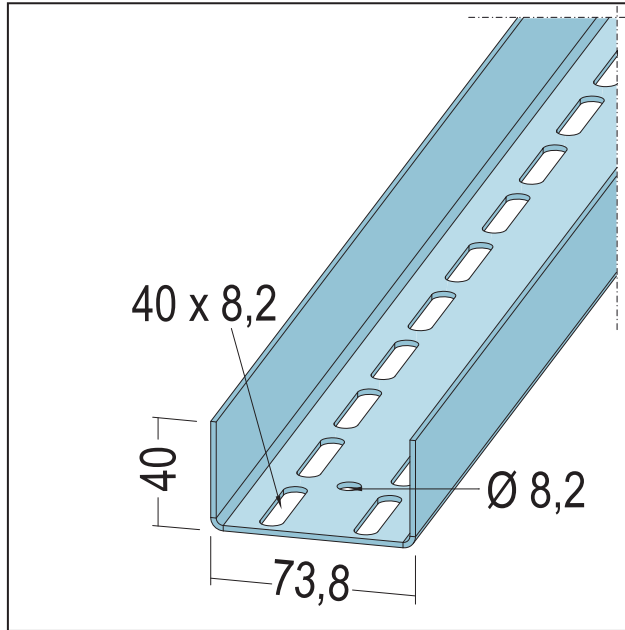
U Reinforcing profile

U 75-20

Item no. 5130



Status: 25.04.2024 | 12:04



Designation	U Reinforcing profile U 75-20
Description	Application area: walls/wall faces, especially in door areas, or support profiles for free-spanning ceilings.
Product area	Dry lining / lightweight steel construction
Product category	Stand profiles for ceiling and wall
Material	Galvanised steel
Material thickness	2 mm
Standard EN	EN 14195:2005
Standard	DIN18182-1
Galvanizing	tested to standard
Product width	73,8 mm
Product length	250 cm; 260 cm; 275 cm; 300 cm; 325 cm; 350 cm; 375 cm; 400 cm; 450 cm; 500 cm; 600 cm
Reaction to fire (R2F)	A1
Packaging Unit	4 PCS / 25 BUN

This product data sheet corresponds to the current state of development of our products and loses its validity upon publication of a new edition. Make sure you are using the latest edition of this information. Warranty and liability are based on delivery according to our general Terms and conditions. Please observe the application assembly and storage guidelines.

All statements without guarantee. Reserve technical changes. Product illustrations may differ from the delivery product. Tender specifications, installation instructions and performance declarations (if required by law) can be found on our homepage. Please respect the environment for a proper disposal!