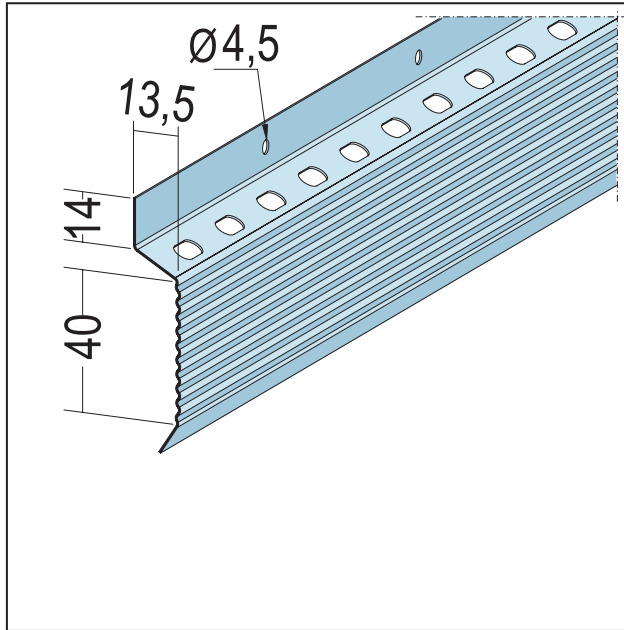


PRODUCT DATA SHEET

RC-profile
for facing shell
Item no. 5100



Status: 11.04.2024 | 02:04



Designation	RC-profile for facing shell
Description	Application area: walls/wall facings. Horizontal installation.
Product area	Dry lining / lightweight steel construction
Product category	Sound Insulation silencio
Material	Galvanised steel
Material thickness	0,6 mm
Standard EN	EN 14195
Galvanizing	tested to standard
Product length	300 cm
Reaction to fire (R2F)	A1
Packaging Unit	10 PCS / 50 BUN
Processing instructions	The RC profile is the ideal solution for optimising sound installation performance for walls, metal walls and wooden wallboard. The 0.6-mm-thick galvanised metal sheet comprised of a drywall construction profile sets new standards for improving sound insulation. The optimal sound installation performance values* are based, in part, on the specialised profile design that allows for simplified installation and versatile applications: For the creation of wall facings made of plasterboard as well as other materials. The set-up of the RC profile, with only one leg, serves to counteract any rigid connections. The profile grooves facilitate easy screwing on. Horizontal installation (e.g. 625 mm) for installation heights of 13.5 mm also allows for electrical cables to be installed with ease. The RC profile is ideally suited for use in pre-fabricated house construction and for renovating older buildings. *confirmed by a comprehensive study carried out by the Swiss Federal Laboratories for Materials Science and Technology (EMPA) in Dübendorf (Switzerland)

This product data sheet corresponds to the current state of development of our products and loses its validity upon publication of a new edition. Make sure you are using the latest edition of this information. Warranty and liability are based on delivery according to our general Terms and conditions. Please observe the application assembly and storage guidelines.

PRODUCT DATA SHEET

RC-profile
for facing shell
Item no. 5100



All statements without guarantee. Reserve technical changes. Product illustrations may differ from the delivery product. Tender specifications, installation instructions and performance declarations (if required by law) can be found on our homepage. Please respect the environment for a proper disposal!