

PRODUCT DATA SHEET

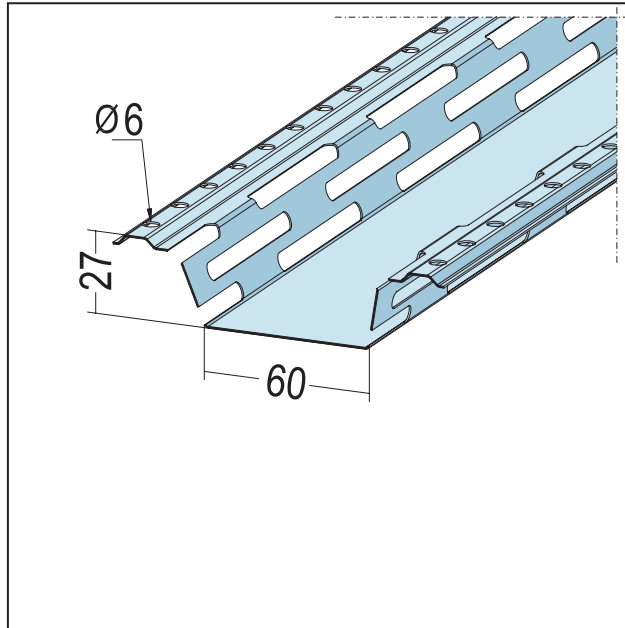
Hat spring rail

60-27-06

Item no. 5007



Status: 11.04.2024 | 02:04



Designation	Hat spring rail 60-27-06
Description	Application area: underneath wooden ceiling beams for improving sound insulation.
Product area	Dry lining / lightweight steel construction
Product category	Sound Insulation silencio
Material	Galvanised steel
Material thickness	0,6 mm
Standard EN	EN 14195
Galvanizing	tested to standard
Product length	400 cm
Reaction to fire (R2F)	A1
Packaging Unit	10 PCS / 54 BUN
Processing instructions	The hat spring rail should always be attached perpendicularly to the wooden beam or the base construction. In order to do so, attach the profiles to the wooden beams (or base construction) at the required distances under the beams using a wooden screw for each side of the profile. After screwing the profile onto the base construction, the securing screws should be unscrewed so that a gap of approx. 1 mm is left between the wooden beam/base construction and the profile. This will allow the hat spring rail to be freely hung from the screw. The profile joints should also be arranged on the respective wooden beam/base construction.

This product data sheet corresponds to the current state of development of our products and loses its validity upon publication of a new edition. Make sure you are using the latest edition of this information. Warranty and liability are based on delivery according to our general Terms and conditions. Please observe the application assembly and storage guidelines.

All statements without guarantee. Reserve technical changes. Product illustrations may differ from the delivery product. Tender specifications, installation instructions and performance declarations (if required by law) can be found on our homepage. Please respect the environment for a proper disposal!