

# PRODUCT DATA SHEET

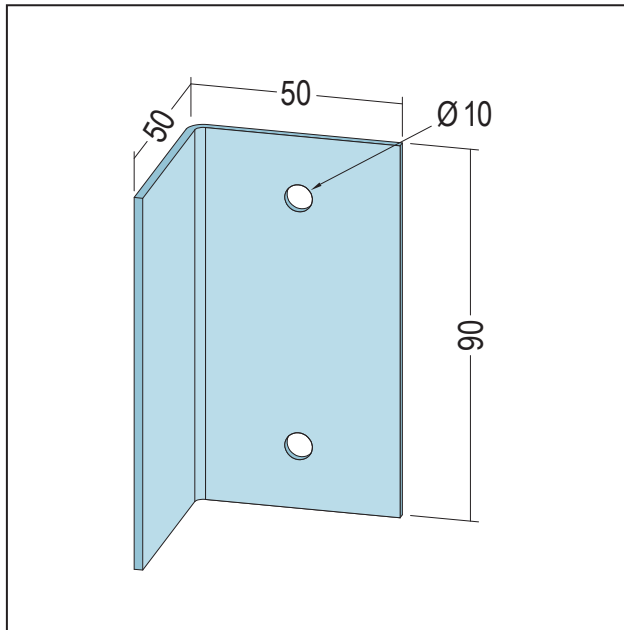
Connection angle

AW 90-20 50x50

Item no. 4550



Status: 11.04.2024 | 02:04



<b>Designation</b>	Connection angle AW 90-20 50x50
<b>Description</b>	For attaching wide span supports to the wall or for creating replacements.
<b>Product area</b>	Dry lining / lightweight steel construction
<b>Product category</b>	Light steel construction Edificio
<b>Material</b>	S320 GD+Z
<b>Material thickness</b>	2 mm
<b>Product width</b>	90 mm
<b>Product length</b>	9 cm
<b>Reaction to fire (R2F)</b>	A1
<b>Packaging Unit</b>	25 PC / 252 BUN

This product data sheet corresponds to the current state of development of our products and loses its validity upon publication of a new edition. Make sure you are using the latest edition of this information. Warranty and liability are based on delivery according to our general Terms and conditions. Please observe the application assembly and storage guidelines.

All statements without guarantee. Reserve technical changes. Product illustrations may differ from the delivery product. Tender specifications, installation instructions and performance declarations (if required by law) can be found on our homepage. Please respect the environment for a proper disposal!