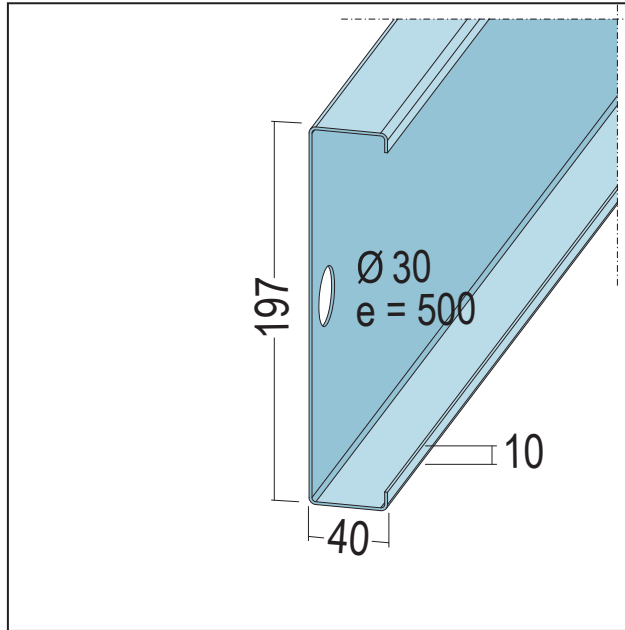


PRODUCT DATA SHEET

U-beam profile
197-40-15
Item no. 4419



Status: 11.04.2024 | 02:04



Designation	U-beam profile 197-40-15
Description	Application area: wide span supports on free-spanning ceilings.
Product area	Dry lining / lightweight steel construction
Product category	Light steel construction Edificio
Material	S320 GD+Z
Material thickness	1,5 mm
Standard EN	EN 1090-1
Galvanizing	Z 275
Product width	197 mm
Product length	400 cm
Reaction to fire (R2F)	A1
Packaging Unit	1 PCS / 60 PCS
Load bearing capacity	NPD

This product data sheet corresponds to the current state of development of our products and loses its validity upon publication of a new edition. Make sure you are using the latest edition of this information. Warranty and liability are based on delivery according to our general Terms and conditions. Please observe the application assembly and storage guidelines.

All statements without guarantee. Reserve technical changes. Product illustrations may differ from the delivery product. Tender specifications, installation instructions and performance declarations (if required by law) can be found on our homepage. Please respect the environment for a proper disposal!