

# PRODUCT DATA SHEET

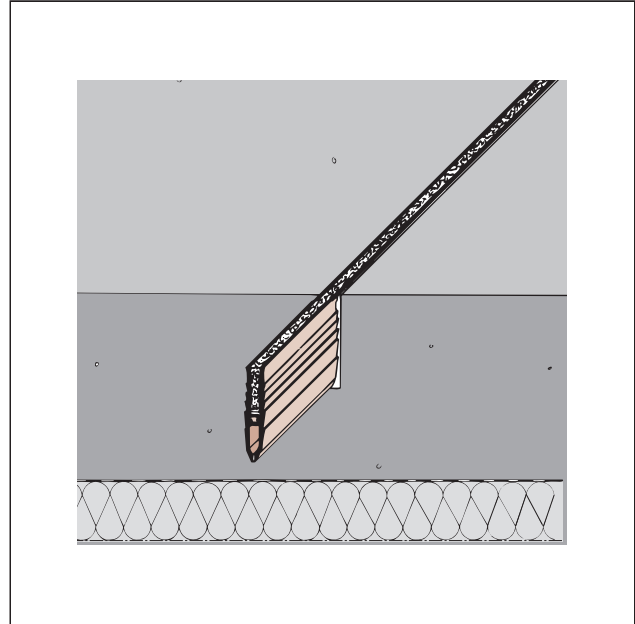
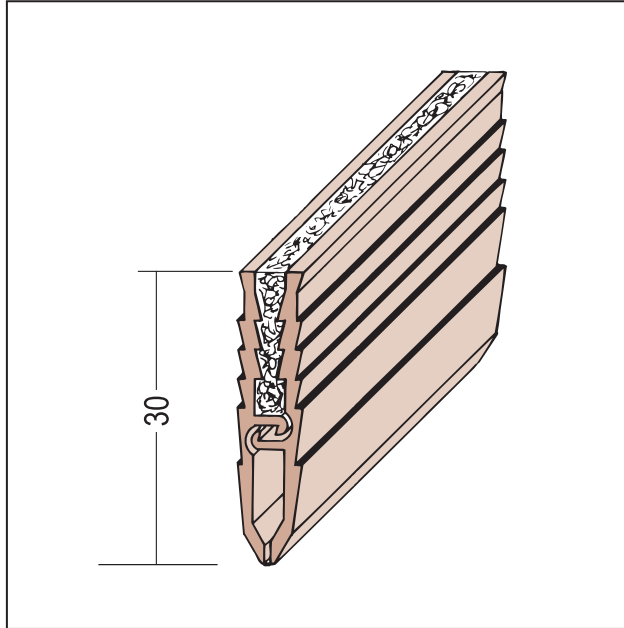
Dummy joint profile screed/concrete PVC

Screed/Concrete

Item no. 3917



Status: 11.04.2024 | 03:04



|                                |  |
|--------------------------------|--|
| <b>Designation</b>             | Dummy joint profile screed/concrete PVC Screed/Concrete  |
| <b>Description</b>             | Dummy joint profile for concrete floors and screed allows users to create clean and straight dummy joints. The dummy joint profile made of PVC and a neoprene insert with pre-stress is ideally suited for various uses. It is resistant to most media such as oils, fats, etc. It can be installed in fresh concrete and screed or inserted into a trimmed joint (6-7 mm) for sealing. Function: • dummy joint • joint sealant • straight joint run |
| <b>Product area</b>            | Concrete / screed  |
| <b>Product category</b>        | Joint profiles   |
| <b>Material</b>                | PVC-U + Cellular rubber  |
| <b>Product length</b>          | 250 cm   |
| <b>Product height in mm</b>    | 30 mm  |
| <b>Packaging Unit</b>          | 40 PCS / 24 BOX  |
| <b>Processing instructions</b> | Installation while conducting concrete work or screed installation: Set the profile into the fresh concrete or screed and level to the desired height. Installation in the trimmed joint for creating a sealed joint through pre-stress: The profile is to be pressed into the trimmed joint. The pre-stress of the profile allows for the joint to be sealed. The joint cut should be approx. 6-7 mm wide and approx. 32 mm deep.                   |

This product data sheet corresponds to the current state of development of our products and loses its validity upon publication of a new edition. Make sure you are using the latest edition of this information. Warranty and liability are based on delivery according to our general Terms and conditions. Please observe the application assembly and storage guidelines.

All statements without guarantee. Reserve technical changes. Product illustrations may differ from the delivery product. Tender specifications, installation instructions and performance declarations (if required by law) can be found on our homepage. Please respect the environment for a proper disposal!