

# PRODUCT DATA SHEET

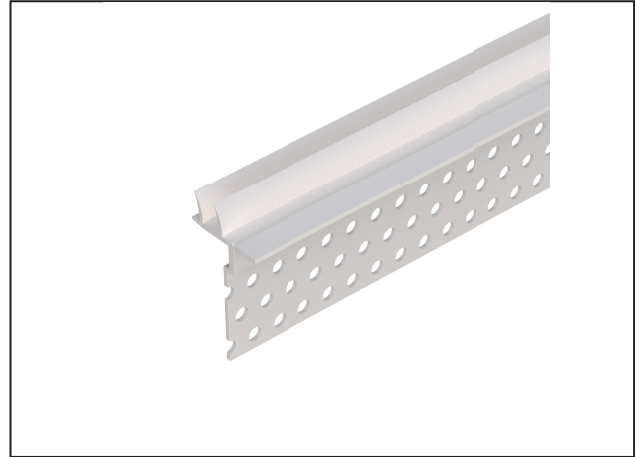
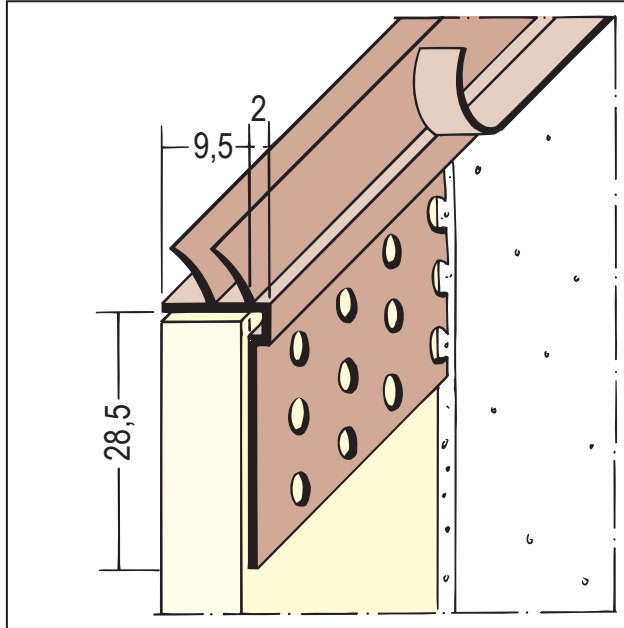
Connecting profile for dry lining

9,5 mm PB

Item no. 3784



Status: 11.04.2024 | 03:04



<b>Designation</b>	Connecting profile for dry lining 9,5 mm PB
<b>Description</b>	Plaster PVC stop profile for plasterboard panels of 9.5 mm and thicker, with “sealing lips” made of flexible PVC, for creating elastic connections to adjacent building elements, such as for the area of sliding ceilings and wall connections. Detachable protective strip protects adjacent building elements, such as doors, against dirt. The profiles must also be fastened with clips.
<b>Product area</b>	Internal construction
<b>Product category</b>	Design profiles
<b>Plaster thickness</b>	1 mm
<b>Material</b>	Hard PVC
<b>GK/Plate</b>	ab 9,5 mm
<b>Product length</b>	300 cm
<b>Productcolor</b>	10, white
<b>Treatment</b>	All profiles must also be fastened with clips.
<b>Packaging Unit</b>	30 PCS / 63 BOX
<b>Shadow gap</b>	6,5 - 3,5 mm

This product data sheet corresponds to the current state of development of our products and loses its validity upon publication of a new edition. Make sure you are using the latest edition of this information. Warranty and liability are based on delivery according to our general Terms and conditions. Please observe the application assembly and storage guidelines.

All statements without guarantee. Reserve technical changes. Product illustrations may differ from the delivery product. Tender specifications, installation instructions and performance declarations (if required by law) can be found on our homepage. Please respect the environment for a proper disposal!