

# PRODUCT DATA SHEET

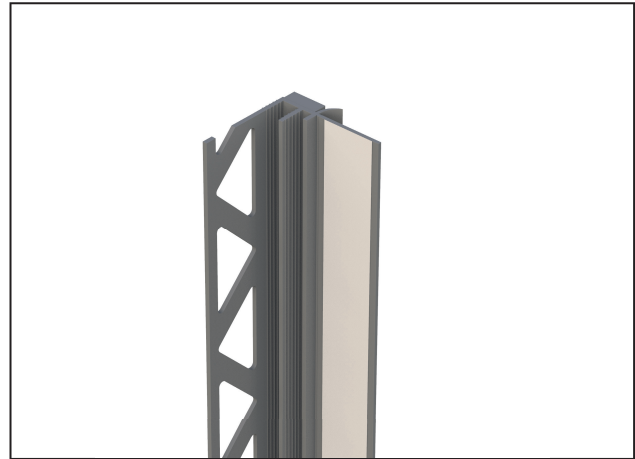
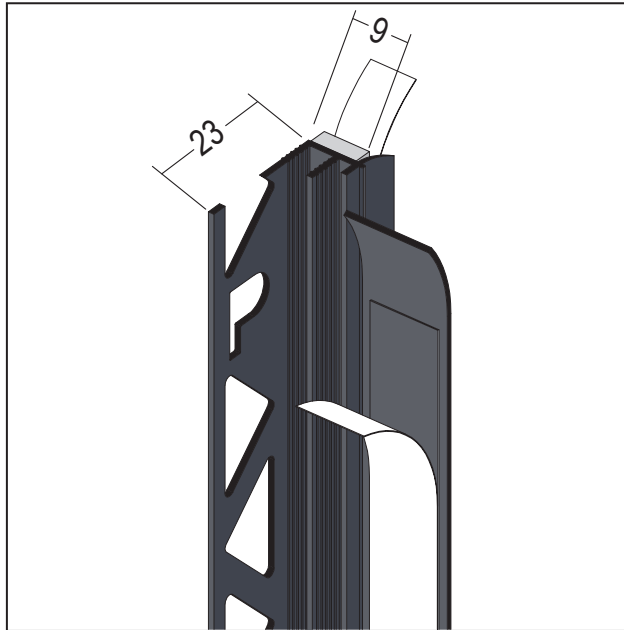
Frameseal bead with protecting lip

9 mm

Item no. 37720



Status: 18.06.2024 | 01:06



<b>Designation</b>	Frameseal bead with protecting lip 9 mm
<b>Description</b>	The self-adhesive PROTEKTOR plastering strip made of PVC with protective lip and tear-off adhesive tab for foil covering is suitable for creating visually and technically flawless connections of windows, doors and other components to plaster. Profile width 9 mm for interior plaster.
<b>Product area</b>	Internal plastering   External rendering
<b>Product category</b>	Soffit profiles   Soffit profiles
<b>Plaster thickness</b>	9 mm
<b>Material</b>	Rigid PVC with soft PVC
<b>Product width</b>	9 mm
<b>Product length</b>	260 cm; 300 cm
<b>Air and component temperature</b>	+5° bis +40°C
<b>Productcolor</b>	91, anthracite
<b>Appearance</b>	Self-adhesive, closed-cell foam tape.
<b>Underground</b>	Bonding areas must be even, dry (note possible condensation), free of frost, dust, grease, solid and load-bearing. An adhesive test indicates whether the substrate is suitable for bonding or whether special measures (e.g. cleaning) are required.
<b>Treatment</b>	Pull off the cover strip of the foam tape approx. 10 -15 cm, then place the profile in the desired position, then gradually fix the cover strip on the rear-side of the profile by pressing it on. Back profile joints with pre-compressed joint sealing tape and arrange only in the upper third of the soffit. Piecing up of the strips is not permitted. Existing plaster legs must be completely backfilled and covered. Air pockets and cavities behind the profiles are not permitted and reduce the force-fit embedding. Do not plaster or paint over the the visible PVC bar . Maximum window height 3.9 m (with single bar length 2.6 m). Can be used on substrates with a luminosity value bigger than 7. Please observe the PROTEKTOR selection criteria, processing information and installation recommendations.
<b>Packaging Unit</b>	30 PCS / 36 BOX

# PRODUCT DATA SHEET

Frameseal bead with protecting lip

9 mm

Item no. 37720



<b>Storage</b>	Store profiles dry, frost-free, horizontally and flat in the box. Do not store or transport profiles which are twisted or bent. Protect cartons and/or profiles from excessive heat and direct sunlight. To remove the profiles, open the carton over its entire length.
<b>Impermeability to driving rain</b>	bis 1050 Pa
<b>Movement according to ÖNORM B6400/ ÖAP VAR VII</b>	Klasse IC
<b>product line</b>	BasicLine
<b>Test report</b>	Geprüfte Luft-, Wind- und Schlagregendichtheit, geprüfte Bewegungsaufnahme. Die jeweils aktuellen Prüfberichte stehen auf <a href="http://www.protektor.de">www.protektor.de</a> zum Download bereit.
<b>Leaflet</b>	* Leaflet * Fiche technique Formation de détails avec des profilés et des bandes d'étanchéité de joints pour l'enduit extérieur et l'ETICS, éditeur Verband für Dämmsysteme, Putz und Mörtel e.V. (VDPM), * Guideline for connections to windows and shutters in plaster, thermal insulation composite system and dry construction, published by the Baden-Württemberg Association of Plasterers for Interiors and Facades (SAF).
<b>connection joint</b>	Schutzlippe

This product data sheet corresponds to the current state of development of our products and loses its validity upon publication of a new edition. Make sure you are using the latest edition of this information. Warranty and liability are based on delivery according to our general Terms and conditions. Please observe the application assembly and storage guidelines.

All statements without guarantee. Reserve technical changes. Product illustrations may differ from the delivery product. Tender specifications, installation instructions and performance declarations (if required by law) can be found on our homepage. Please respect the environment for a proper disposal!