

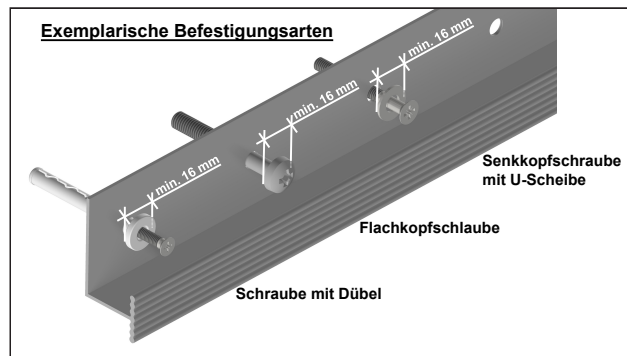
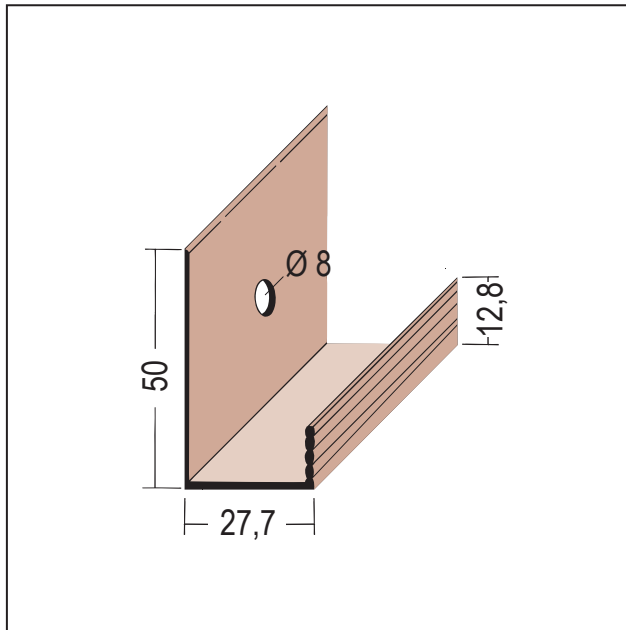
PRODUCT DATA SHEET

Start profile for mechanical fixed thermal insulation

Item no. 3759



Status: 11.04.2024 | 03:04



Designation	Start profile for mechanical fixed thermal insulation
Product area	Thermal insulation
Product category	Profiles for mechanical fixed
Material	Hard PVC
Product length	250 cm
Treatment	Includes an 8 mm perforation for securing. Fasten with approved façade screw dowels.
Packaging Unit	20 PCS / 24 BOX

This product data sheet corresponds to the current state of development of our products and loses its validity upon publication of a new edition. Make sure you are using the latest edition of this information. Warranty and liability are based on delivery according to our general Terms and conditions. Please observe the application assembly and storage guidelines.

All statements without guarantee. Reserve technical changes. Product illustrations may differ from the delivery product. Tender specifications, installation instructions and performance declarations (if required by law) can be found on our homepage. Please respect the environment for a proper disposal!