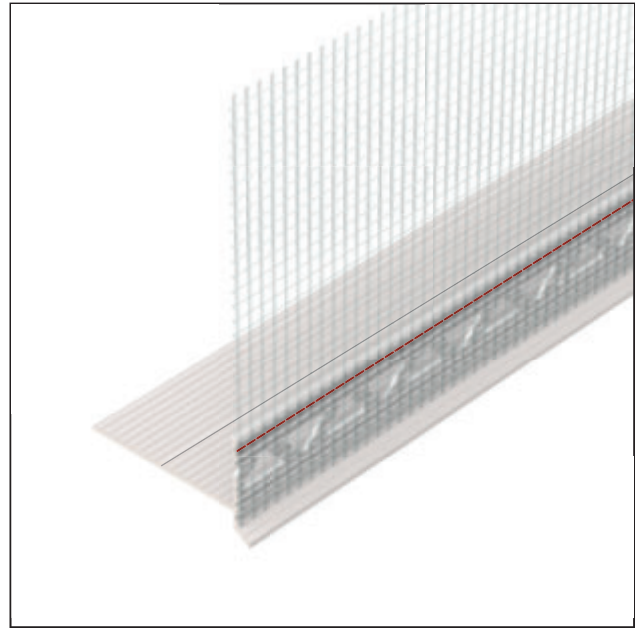
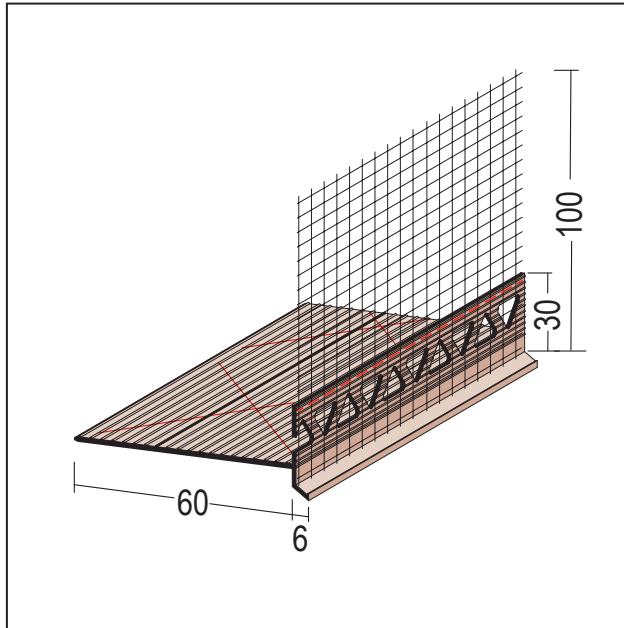


PRODUCT DATA SHEET

Insertion profile with drip nose for thermal insulation
from 60/6 mm
Item no. 37530



Status: 21.04.2026 | 21:20



Designation	Insertion profile with drip nose for thermal insulation from 60/6 mm
Description	PVC insertion base profile, for 6 mm plaster thickness, with drip edge. Plastering leg with sewn-on alkali-resistant glass fiber fabric strip.
Product area	Thermal insulation
Product category	Connection and end profiles Base profiles
Plaster thickness	6 mm <30 mm
Leg length	60/30 mm
Grammage	160 g/m ²
Mesh size	4 x 4 mm
Application Areas	For inserting between façade and perimeter insulation also in the lintel area of insulated roller shutter and Venetian blind boxes.
Appearance	With print for miter cuts.
Treatment	The insertion leg with smooth bottom view can be shortened by a predetermined breaking point of 60 mm to 30 mm. Also suitable for insertion in the lintel area of insulated roller shutter and Venetian blind boxes.
Annotation	One-sided tissue protrusion of 10 cm at the end of the bead.
Customs tariff number	39269097
Opened label	Purchase only possible as full packaging units.

Item number	Length (cm)	Plaster thickness	Material	Colour	Packaging unit
115315	200	6 mm	Rigid PVC with glass fibre mesh	10 - white	15 PCS / 13 BOX

This product data sheet corresponds to the current state of development of our products and loses its validity upon publication of a new edition. Make sure you are using the latest edition of this information. Warranty and liability are based on delivery according to our general Terms and conditions. Please observe the application assembly and storage guidelines.

PRODUCT DATA SHEET

Insertion profile with drip nose for thermal insulation
from 60/6 mm
Item no. 37530



All statements without guarantee. Reserve technical changes. Product illustrations may differ from the delivery product. Tender specifications, installation instructions and performance declarations (if required by law) can be found on our homepage. Please respect the environment for a proper disposal!