

PRODUCT DATA SHEET

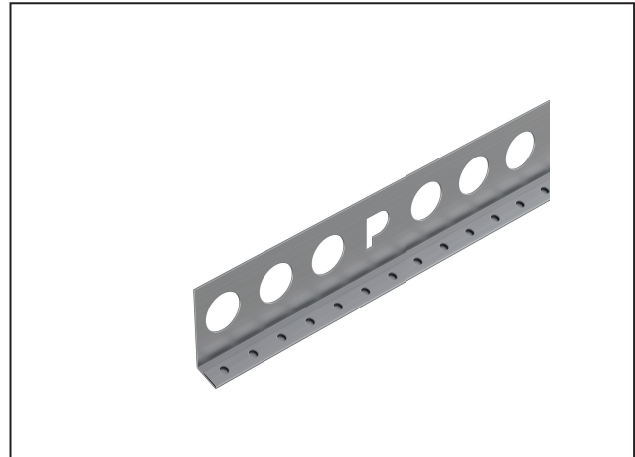
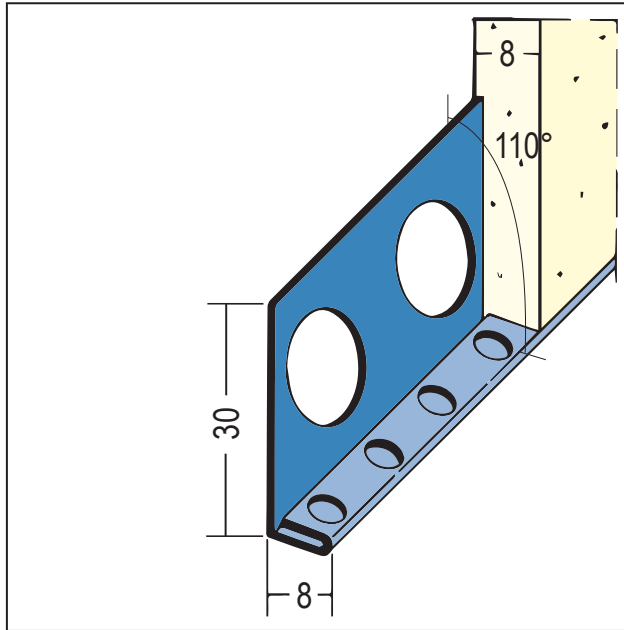
Base stop profile for interior plaster and exterior render

8 mm

Item no. 2184



Status: 11.04.2024 | 03:04



Designation	Base stop profile for interior plaster and exterior render 8 mm
Description	PROTEKTOR-Stainless steel corner profile for interior and exterior plasters of 8 mm and thicker. Stainless steel corner profiles allow users to create precise corners with an angle position of 110° for effective drip edges.
Product area	Internal plastering Wet rooms External rendering
Product category	Base profiles Wet rooms to W2-I Wet rooms to W3-I Base profiles
Types of mortar	Silicate plaster, Reinforcing plaster organ, Insulating plaster, Deposits cleaning, Gypsum mortars and mortars containing gypsum, Gypsum plaster, Lime plaster, Lime cement plaster, Clay plaster, Restoration plaster
Plaster thickness	8 mm
Material	Stainless steel
Standard EN	EN 13658-2
Product length	250 cm
Angular Position	110°
Application Areas	For wet rooms with water exposure class up to W3-I.
Reaction to fire (R2F)	A1
Packaging Unit	20 PCS / 200 BUN
Leaflet	* Leaflet Planning and Application of Metallic Plaster Profiles; Publisher: European Trade Association Europrofiles, www.europrofiles.com , * Leaflet Planning and Application of Metallic Plaster Profiles; Publisher: European Trade Association Europrofiles, www.europrofiles.com , * Leaflet Winter Construction Sites; Publisher: Bundesverband der Gipsindustrie e.V., www.gips.de

This product data sheet corresponds to the current state of development of our products and loses its validity upon publication of a new edition. Make sure you are using the latest edition of this information. Warranty and liability are based on delivery according to our general Terms and conditions. Please observe the application assembly and storage guidelines.

PRODUCT DATA SHEET

Base stop profile for interior plaster and exterior render

8 mm

Item no. 2184



All statements without guarantee. Reserve technical changes. Product illustrations may differ from the delivery product. Tender specifications, installation instructions and performance declarations (if required by law) can be found on our homepage. Please respect the environment for a proper disposal!