

# PRODUCT DATA SHEET

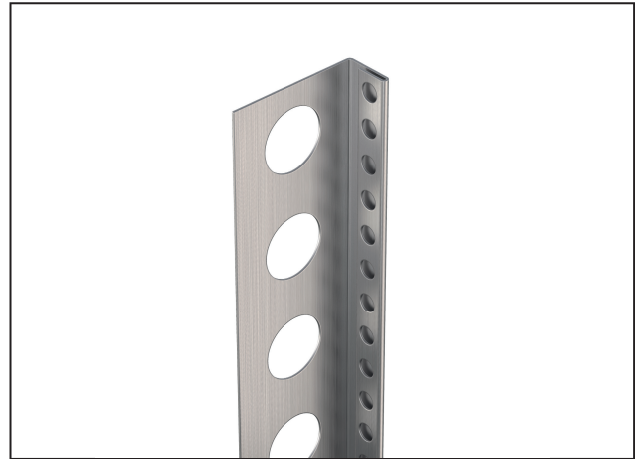
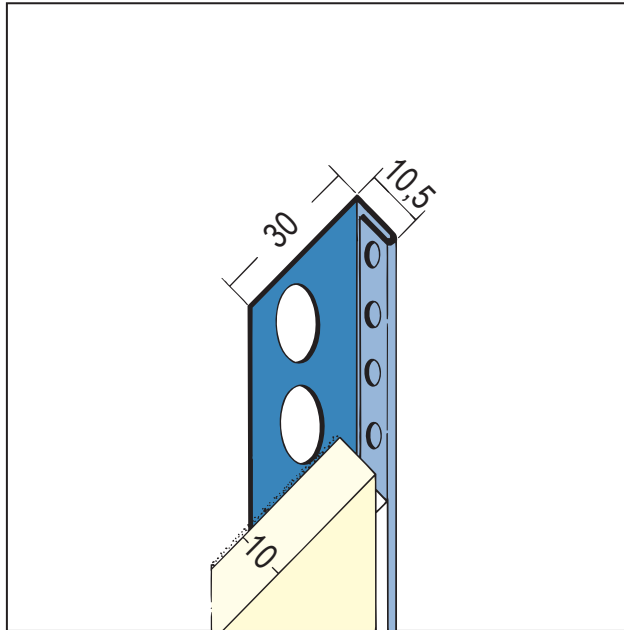
Stop profile for interior plaster and exterior render

10 mm

Item no. 2180



Status: 11.10.2024 | 12:10



<b>Designation</b>	Stop profile for interior plaster and exterior render 10 mm
<b>Description</b>	PROTEKTOR-Stop profile of stainless steel for interior and exterior plaster 10,5 mm and tile thicknesses up to 10 mm. Ideally suited for damp and wet areas, kitchens, WCs, swimming halls, and underneath ceramic surfaces.
<b>Product area</b>	Internal plastering   Wet rooms   External rendering
<b>Product category</b>	Plaster/render stops   Wet rooms to W2-I   Wet rooms to W3-I
<b>Types of mortar</b>	Silicate plaster, Reinforcing plaster organ, Insulating plaster, Deposits cleaning, Gypsum mortars and mortars containing gypsum, Gypsum plaster, Lime plaster, Lime cement plaster, Clay plaster, Restoration plaster
<b>Plaster thickness</b>	10,5 mm
<b>Material</b>	Stainless steel
<b>Standard EN</b>	EN 13658-1
<b>Product length</b>	250 cm
<b>Application Areas</b>	For wet rooms with water exposure class up to W3-I.
<b>Reaction to fire (R2F)</b>	A1
<b>Packaging Unit</b>	20 PCS / 240 BUN
<b>Leaflet</b>	* Leaflet Planning and Application of Metallic Plaster Profiles; Publisher: European Trade Association Europrofiles, <a href="http://www.europrofiles.com">www.europrofiles.com</a> * Leaflet Planning and Application of Metallic Plaster Profiles; Publisher: European Trade Association Europrofiles, <a href="http://www.europrofiles.com">www.europrofiles.com</a> * Leaflet Winter Construction Sites; Publisher: Bundesverband der Gipsindustrie e.V., <a href="http://www.gips.de">www.gips.de</a>

This product data sheet corresponds to the current state of development of our products and loses its validity upon publication of a new edition. Make sure you are using the latest edition of this information. Warranty and liability are based on delivery according to our general Terms and conditions. Please observe the application assembly and storage guidelines.

# PRODUCT DATA SHEET

Stop profile for interior plaster and exterior render

10 mm

Item no. 2180



All statements without guarantee. Reserve technical changes. Product illustrations may differ from the delivery product. Tender specifications, installation instructions and performance declarations (if required by law) can be found on our homepage. Please respect the environment for a proper disposal!