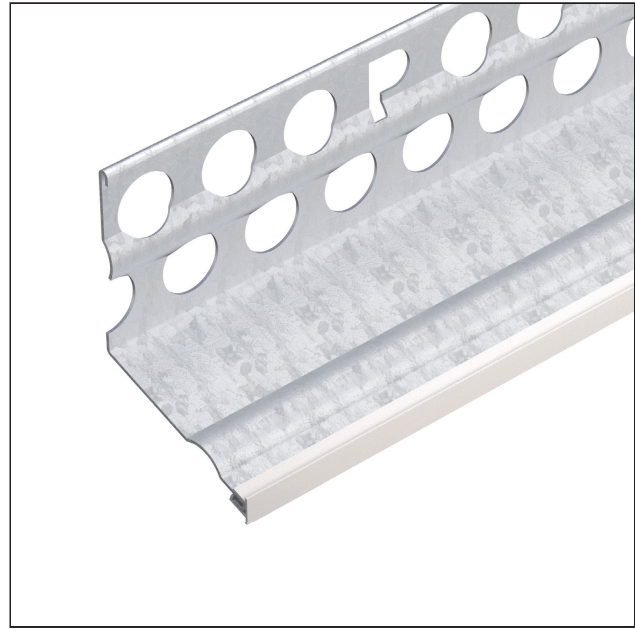
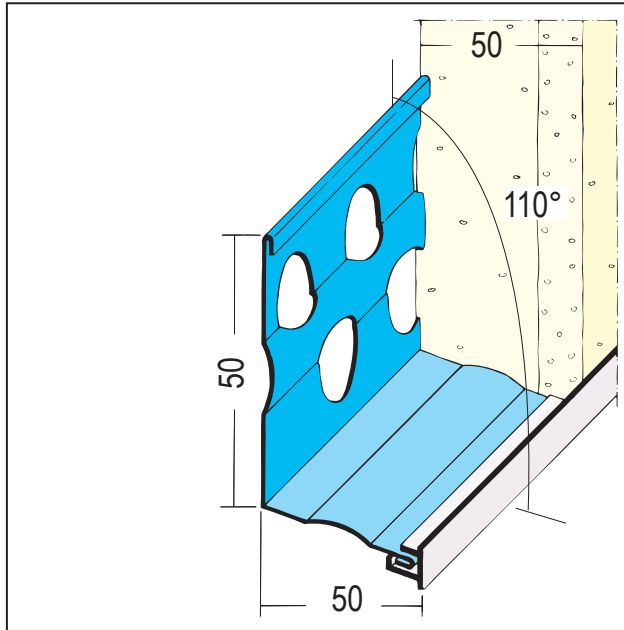


# PRODUCT DATA SHEET

Base stop profile for insulating  
50 mm  
Item no. 1265



Status: 12.04.2024 | 12:04



|                               |   |
|-------------------------------|---|
| <b>Designation</b>            | Base stop profile for insulating 50 mm  |
| <b>Description</b>            | Corner beads, base profiles and window lintels made of galvanised steel provide exact borders between insulation plaster surfaces. Base profiles for creating horizontal connections with an angle position of 110° for effective drip edges. |
| <b>Product area</b>           | External rendering   Thermal insulation   |
| <b>Product category</b>       | Base profiles   Profiles for insulating plaster   |
| <b>Types of mortar</b>        | Silicate plaster, Insulating plaster, Deposits cleaning, Gypsum mortars and mortars containing gypsum, Gypsum plaster, Lime plaster, Lime cement plaster  |
| <b>Plaster thickness</b>      | 50 mm   |
| <b>Material</b>               | Galvanised steel, with PVC coating  |
| <b>Standard EN</b>            | EN 13658-2  |
| <b>Product length</b>         | 300 cm  |
| <b>Angular Position</b>       | 110°  |
| <b>Reaction to fire (R2F)</b> | E   |
| <b>Productcolor</b>           | 10, white   |
| <b>Packaging Unit</b>         | 15 PCS / 49 BUN   |

This product data sheet corresponds to the current state of development of our products and loses its validity upon publication of a new edition. Make sure you are using the latest edition of this information. Warranty and liability are based on delivery according to our general Terms and conditions. Please observe the application assembly and storage guidelines.

All statements without guarantee. Reserve technical changes. Product illustrations may differ from the delivery product. Tender specifications, installation instructions and performance declarations (if required by law) can be found on our homepage. Please respect the environment for a proper disposal!