

PRODUCT DATA SHEET

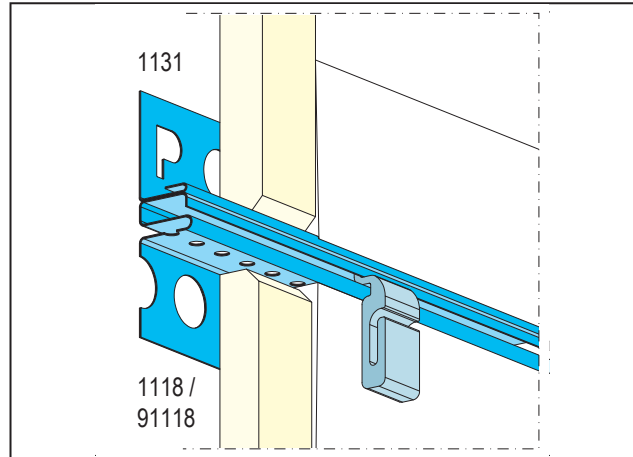
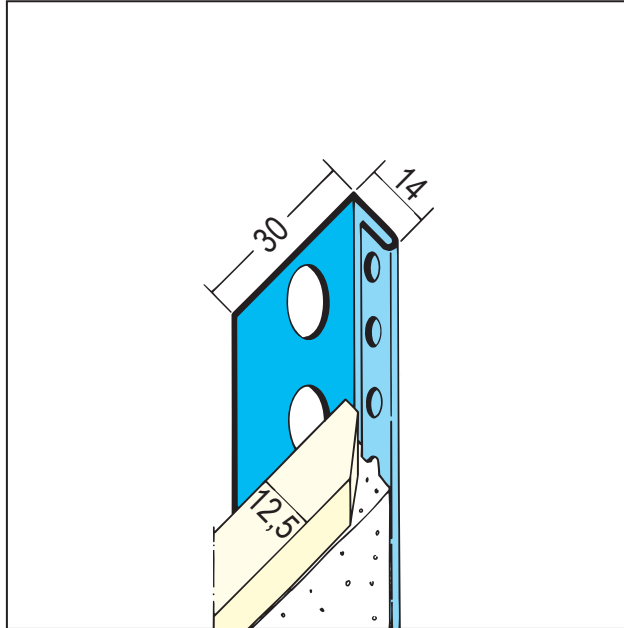
Stop profile for dry lining

12,5 mm PB

Item no. 1131



Status: 12.04.2024 | 12:04



Designation	Stop profile for dry lining 12,5 mm PB
Description	PROTEKTOR Stop profile with filler perforation for 12.5-mm-thick plasterboard.
Product area	Internal construction
Product category	Filler profiles Design profiles
Types of mortar	Silicate plaster, Insulating plaster, Deposits cleaning, Gypsum mortars and mortars containing gypsum, Gypsum plaster, Lime plaster, Lime cement plaster
Plaster thickness	1 mm
Material	Galvanised steel
GK/Plate	12,5 mm
Standard EN	EN 14353
Galvanizing	Z 275
Product length	250 cm; 300 cm
Reaction to fire (R2F)	A1
Packaging Unit	25 PCS / 80 BUN

This product data sheet corresponds to the current state of development of our products and loses its validity upon publication of a new edition. Make sure you are using the latest edition of this information. Warranty and liability are based on delivery according to our general Terms and conditions. Please observe the application assembly and storage guidelines.

All statements without guarantee. Reserve technical changes. Product illustrations may differ from the delivery product. Tender specifications, installation instructions and performance declarations (if required by law) can be found on our homepage. Please respect the environment for a proper disposal!